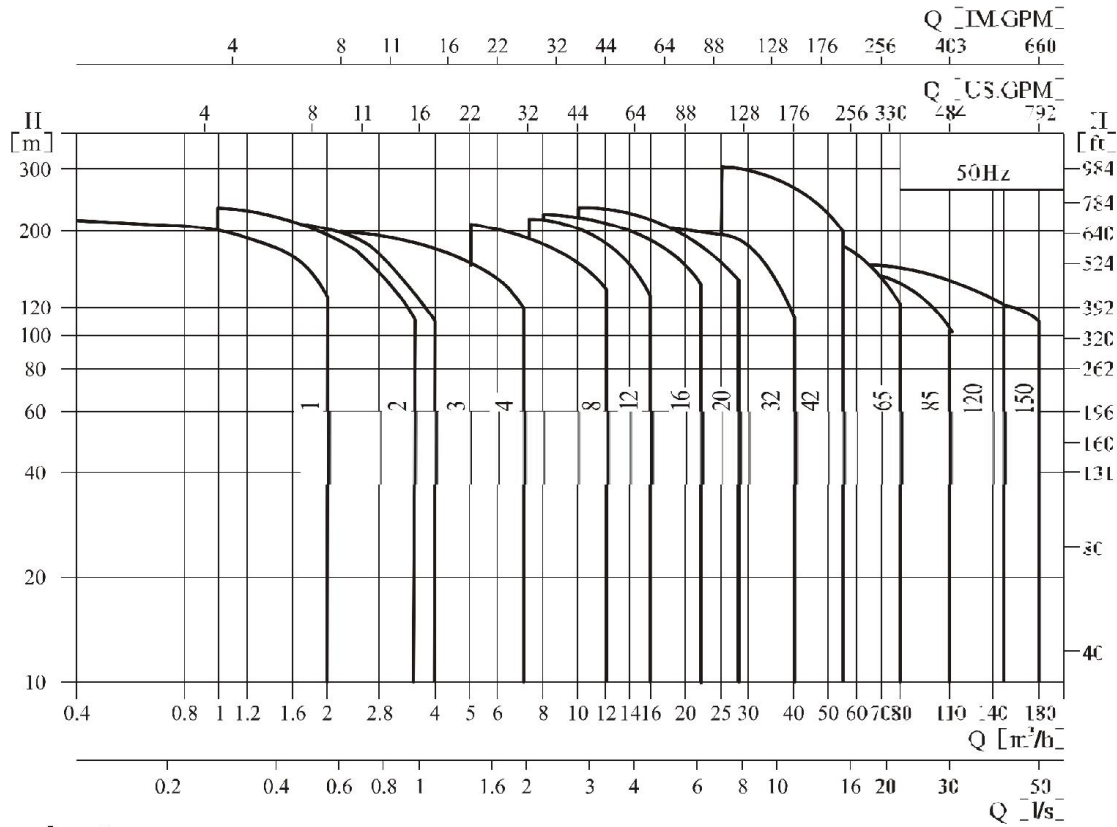


Performance scope

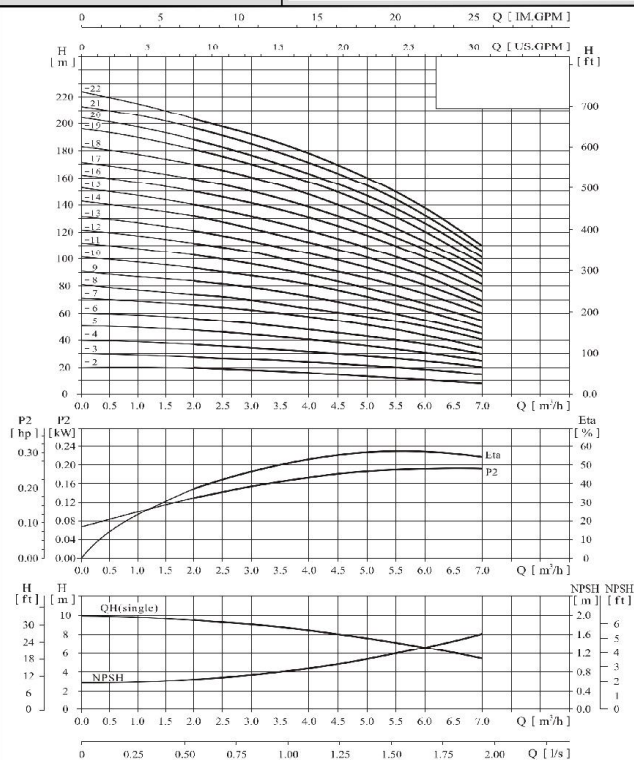


Product range

Description	SHV1	SHV2	SHV3	SHV4	SHV8	SHV12	SHV16	SHV20	SHV32	SHV42	SHV65	SHV85	SHV120	SHV150
Rated flow [m³/h]	1	2	3	4	8	12	16	20	32	42	65	85	120	150
Rated flow [l/s]	0.28	0.56	0.83	1.1	2.2	3.3	4.4	5.6	8.9	11.7	18	24	33	41.6
Flow range [m³/h]	0.4-2	1-3.5	1.2-4	1.5-7	5-12	7-16	8-22	10-28	16-40	25-55	30-80	50-110	60-150	80-180
Flow range [l/s]	0.11-0.56	0.28-0.97	0.33-1.1	0.42-1.9	1.4-3.3	1.9-4.4	2.2-6.1	2.8-7.8	4.4-11.1	6.9-15.3	8.3-22.2	13.8-30.5	15.7-41.7	22-50
Max. pressure [bar]	21	23	22	21	21	22	22	23	26	30	22	17	16	16
Motor power [kW]	0.37-2.2	0.37-3	0.37-3	0.37-4	0.75-7.5	1.5-11	2.2-15	1.1-18.5	1.5-30	3.0-45	4.0-45	5.5-45	11-75	11-75
Temperature range [°C]	-15~+120													
Max. efficiency [%]	44	46	54	59	64	63	66	69	76	78	80	81	74	73
Type														
SHV	●	●	●	●	●	●	●	●	●	●	●	●	●	●
	●	●	●	●	●	●	●	●	●	●	●	●	●	●
DIN Flange	DN25	DN25	DN25	DN32	DN40	DN50	DN50	DN50	DN65	DN80	DN100	DN100	DN125	DN125
Oval Flange	G1	G1	G1	G1¼	G1½									
DIN Flange	DN25	DN25	DN25	DN32	DN40	DN50	DN50	DN50	DN65	DN80	DN100	DN100	DN125	DN125
Cutting ferrule joint	●	●	●	●	●	●	●	●						
Pipe thread	●	●	●	●	●	●	●	●						

Company name
Respons. Department
E-mail address
Website

MOTOLOGY Electric Pte Ltd
2 Woodlands Sector 1, Singapore 738086
shaktipumpsg@gmail.com
shakti-pumps.com



Operating data specification

Nominal flow	m³/h
Nominal head	m
Static head	m 0
NPSH - value of plant	m 0
Inlet pressure	psi 1.42
Fluid	Water, pure
Operating temperature t A	°F 68
Density at t A	lb/ft³ 62.32
Kin. viscosity at t A	ft²/s 1.082E-5

Pump

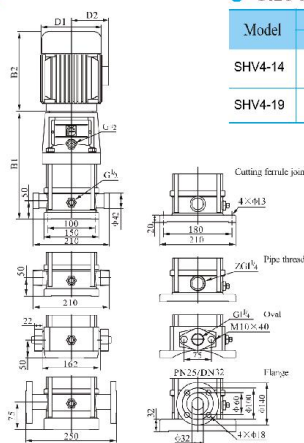
Pump name	SHV 4-14	
Size		
Design		
Speed	rpm	2900
Impeller type		
Flow	Nominal	m³/h
	Max-	m³/h 7
	Min-	m³/h 1.5
Head	Nominal	m
	Max-	m 136
	Min-	m 68
Head H(Q=0)	m 136	
NPSH 3%	m 4.2	
Max. working pressure	psi 202	
Shaft power	hp 4	
Efficiency	% 46	
Max absorbed power	hp 5.16	

Materials Pump

Shaft	Stainless steel AISI 304			
Impeller	Stainless steel AISI 304			
Diffuser	Stainless steel AISI 304			
Coupling	Carbon steel			
Pump head	Cast iron ASTM25B			
Impeller sleeve	Stainless steel AISI 304			
Manufacturer / Type				
Rated power	hp	4	Efficiency 4/4	0 %
Electric current	A	5.7	Speed	rpm 2900
Electric voltage	V	400 V	3~	Hz 50
Starting mode	Unknown			
Degree of protection	IP 55		Insulation class	F

Dimensions in mm

● **Installation sketch**



● **Size and weight**

Model	Size (mm)			Weight (kg)	
	B1	B2	B1+B2	D1	D2
SHV4-14	630	345	975	197	165
SHV4-19	765	355	1120	230	188



Remarks:

Project	Project ID	Created by	Created on	Last update
			2014-06-23	