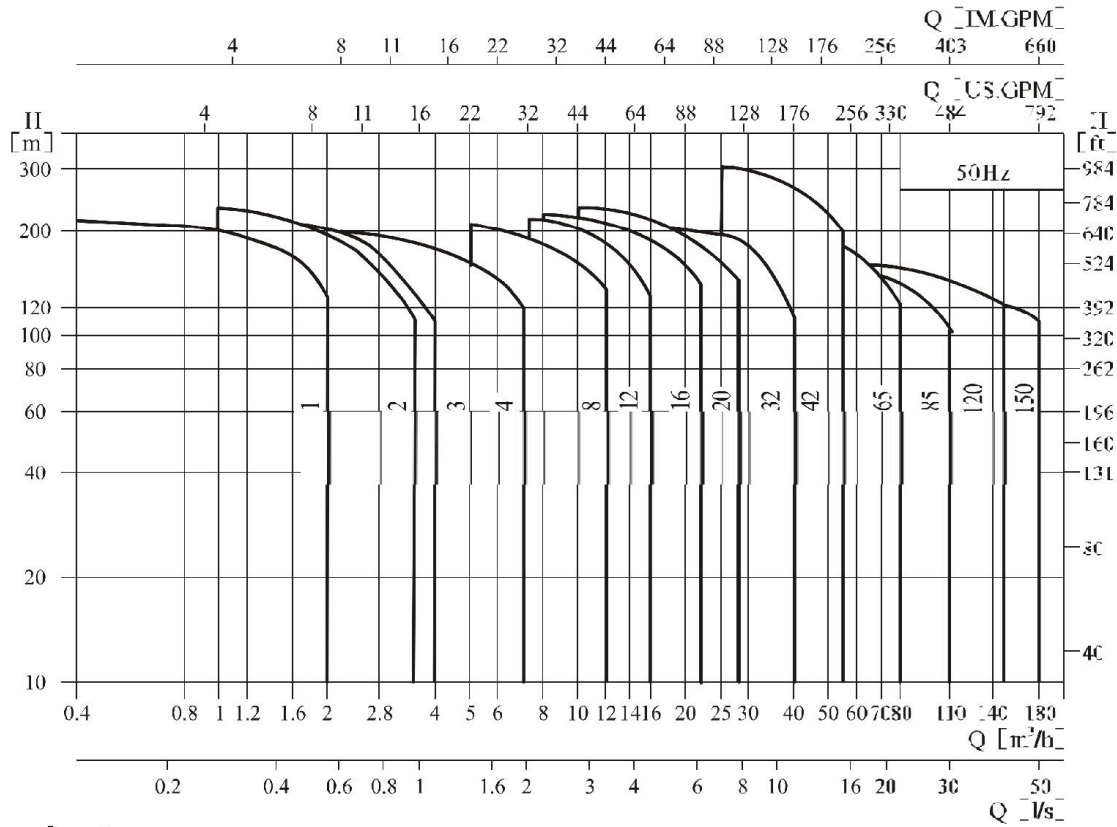


**Performance scope**

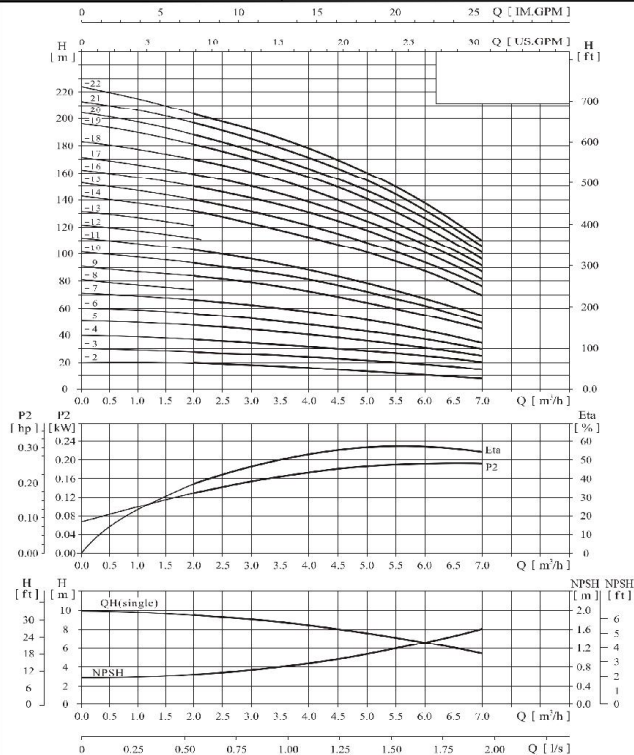


**Product range**

Description	SHV1	SHV2	SHV3	SHV4	SHV8	SHV12	SHV16	SHV20	SHV32	SHV42	SHV65	SHV85	SHV120	SHV150
Rated flow [m³/h]	1	2	3	4	8	12	16	20	32	42	65	85	120	150
Rated flow [l/s]	0.28	0.56	0.83	1.1	2.2	3.3	4.4	5.6	8.9	11.7	18	24	33	41.6
Flow range [m³/h]	0.4-2	1-3.5	1.2-4	1.5-7	5-12	7-16	8-22	10-28	16-40	25-55	30-80	50-110	60-150	80-180
Flow range [l/s]	0.11-0.56	0.28-0.97	0.33-1.1	0.42-1.9	1.4-3.3	1.9-4.4	2.2-6.1	2.8-7.8	4.4-11.1	6.9-15.3	8.3-22.2	13.8-30.5	15.7-41.7	22-50
Max. pressure [bar]	21	23	22	21	21	22	22	23	26	30	22	17	16	16
Motor power [kW]	0.37-2.2	0.37-3	0.37-3	0.37-4	0.75-7.5	1.5-11	2.2-15	1.1-18.5	1.5-30	3.0-45	4.0-45	5.5-45	11-75	11-75
Temperature range [°C]	-15~+120													
Max. efficiency [%]	44	46	54	59	64	63	66	69	76	78	80	81	74	73
Type														
SHV	●	●	●	●	●	●	●	●	●	●	●	●	●	●
	●	●	●	●	●	●	●	●	●	●	●	●	●	●
DIN Flange	DN25	DN25	DN25	DN32	DN40	DN50	DN50	DN50	DN65	DN80	DN100	DN100	DN125	DN125
Oval Flange	G1	G1	G1	G1¼	G1½									
DIN Flange	DN25	DN25	DN25	DN32	DN40	DN50	DN50	DN50	DN65	DN80	DN100	DN100	DN125	DN125
Cutting ferrule joint	●	●	●	●	●	●	●	●						
Pipe thread	●	●	●	●	●	●	●	●						

Company name  
Respons. Department  
E-mail address  
Website

**MOTOLOGY Electric Pte Ltd**  
2 Woodlands Sector 1, Singapore 738086  
shaktipumpsg@gmail.com  
shakti-pumps.com



**Operating data specification**

Nominal flow	m³/h 6
Nominal head	m 122
Static head	m 0
NPSH - value of plant	m 0
Inlet pressure	psi 1.42
Fluid	Water, pure
Operating temperature t A	°F 68
Density at t A	lb/ft³ 62.32
Kin. viscosity at t A	ft²/s 1.082E-5

**Pump**

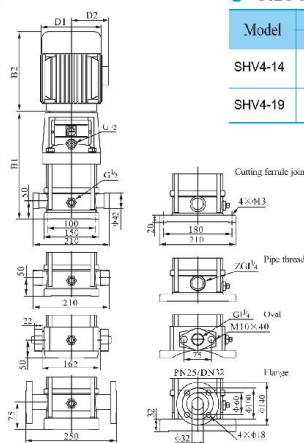
Pump name	SHV 4-14	
Size		
Design		
Speed	rpm 2900	
Impeller type		
Flow	Nominal	m³/h 5
	Max-	m³/h 9
	Min-	m³/h 1.5
Head	Nominal	m 137
	Max-	m 183
	Min-	m 93
Head H(Q=0)	m 183	
NPSH 3%	m 4.2	
Max. working pressure	psi 202	
Shaft power	hp 4	
Efficiency	% 46	
Max absorbed power	hp 5.6	

**Materials Pump**

Shaft	Stainless steel AISI 304		
Impeller	Stainless steel AISI 304		
Diffuser	Stainless steel AISI 304		
Coupling	Carbon steel		
Pump head	Cast iron ASTM25B		
Impeller sleeve	Stainless steel AISI 304		
Manufacturer / Type			
Rated power	hp 5.5	Efficiency 4/4	0 %
Electric current	A 7.7	Speed	rpm 2900
Electric voltage	V 400 V	1~	Hz 50
Starting mode	Unknown		
Degree of protection	IP 55	Insulation class	F

**Dimensions in mm**

● **Installation sketch**



● **Size and weight**

Model	Size (mm)			Weight (kg)	
	B1	B2	B1+B2	D1	D2
SHV4-14	630	345	975	197	165
SHV4-19	765	355	1120	230	188



Remarks:

Project	Project ID	Created by	Created on <b>2014-06-23</b>	Last update
---------	------------	------------	---------------------------------	-------------