

MTS-3 5

Stainless Steel Multistage Centrifugal Pumps



- Liquid temperature : 0~90°C / 32~194°F
- HP range : 1/3~2HP / 0.25~1.5KW
- PH : 6~8
- Rated Speed : 2900 / 3450 rpm
- Protection calss : IP55
- Maximum suction : 1M

Features

- 1 - Clean water: the pump casing, impeller and diffuser were made from stainless steel.
- 2 - Low noise: new designed vortex fan can reduce the voice.
- 3 - Suitable for outdoor environment(IP55).

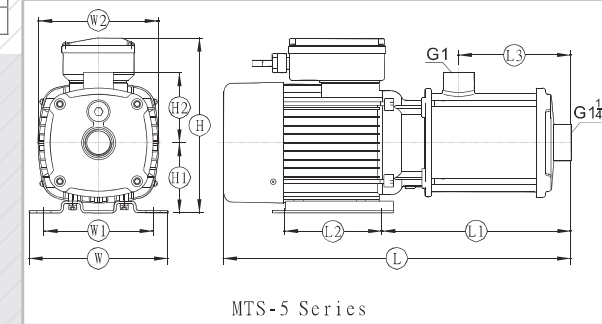
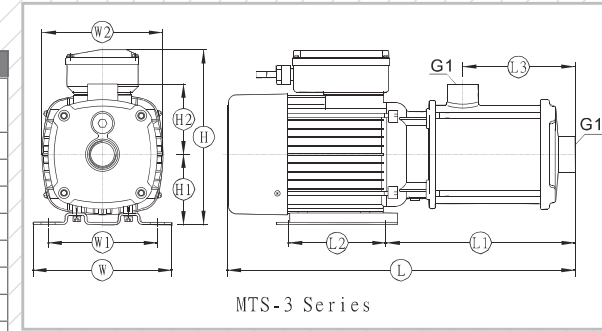
Applications

- 1 - Home booster
- 2 - Constant pressure system
- 3 - Gardening and sprinkling
- 4 - Air conditioner recirculation system
- 5 - Filtration system



Dimension

Model	Dimension										
	W	W1	W2	H		H1	H2	L	L1	L2	L3
				1Ø	3Ø						
MTS-32	158	125	140	187	174	75	90	318	131	96	72
MTS-33	158	125	140	187	174	75	90	347	131	96	72
MTS-34	158	125	140	200	188	75	90	362	149	96	90
MTS-35	158	125	140	200	188	75	90	380	167	96	108
MTS-52	158	125	140	200	188	75	90	326	131	155	72
MTS-53	158	125	140	200	188	75	90	326	131	155	72
MTS-54	158	125	140	200	188	75	90	344	149	155	90
MTS-55	178	140	155	230	211	90	90	410	207	155	108



Specification

50Hz

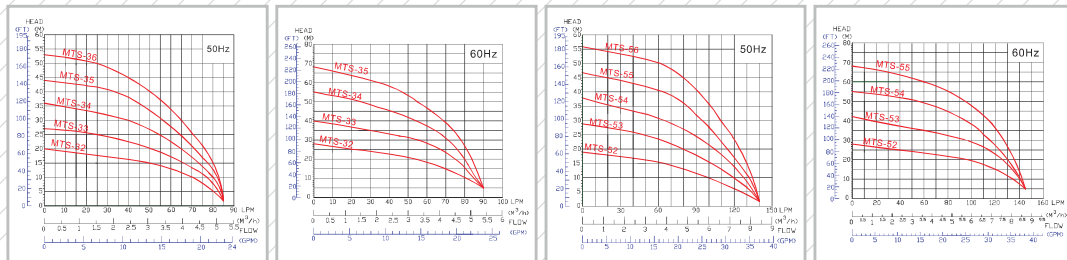
Model No.	Output		Inlet		Outlet		Max Flow(LPM)	LPM Flow @ Head					Max Head(M)	Weight Kg
	HP	W	mm	inch	mm	inch		5M	10M	15M	20M	25M		
MTS-32(T)	1/3	250	25	1"	25	1"	85	80	70	50	-	-	20	7.4
MTS-33(T)	1/2	400	25	1"	25	1"	85	83	75	65	50	25	27	7.5
Model No.	HP	W	mm	inch	mm	inch	Max Flow(LPM)	LPM Flow @ Head					Max Head(M)	Weight Kg
MTS-34(T)	3/4	550	25	1"	25	1"	85	80	65	40	-	-	36	10
MTS-35(T)	1	750	25	1"	25	1"	85	82	70	55	35	-	44	10.5
MTS-38(T)	1 1/2	1125	25	1"	25	1"	85	83	75	65	50	25	53	12
Model No.	HP	W	mm	inch	mm	inch	Max Flow(LPM)	LPM Flow @ Head					Max Head(M)	Weight Kg
MTS-52(T)	1/2	400	32	1-1/4"	25	1"	140	125	100	65	-	-	19	8
MTS-53(T)	3/4	550	32	1-1/4"	25	1"	140	135	120	100	80	50	29	10
Model No.	HP	W	mm	inch	mm	inch	Max Flow(LPM)	LPM Flow @ Head					Max Head(M)	Weight Kg
MTS-54(T)	1	750	32	1-1/4"	25	1"	140	130	105	65	-	-	38	11.5
MTS-55(T)	1 1/2	1125	32	1-1/4"	25	1"	140	132	115	95	65	-	47	12.5
MTS-56(T)	2	1500	32	1-1/4"	25	1"	140	135	125	110	92	62	56	15

60Hz

Model No.	Output		Inlet		Outlet		Max Flow(LPM)	LPM Flow @ Head					Max Head(M)	Weight Kg
	HP	W	mm	inch	mm	inch		10M	20M	30M	40M	50M		
MTS-32(T)	1/2	400	25	1"	25	1"	90	80	55	-	-	-	28	8
MTS-33(T)	3/4	550	25	1"	25	1"	90	85	75	55	-	-	40	10
MTS-34(T)	1	750	25	1"	25	1"	90	86	80	70	55	25	55	11.5
MTS-35(T)	1 1/2	1125	25	1"	25	1"	90	87	85	75	70	55	68	12.5
MTS-38(T)	2	1500	25	1"	25	1"	90	88	86	80	75	70	82	14
Model No.	HP	W	mm	inch	mm	inch	Max Flow(LPM)	LPM Flow @ Head					Max Head(M)	Weight Kg
MTS-52(T)	3/4	550	32	1-1/4"	25	1"	145	135	95	-	-	-	28	10.5
MTS-53(T)	1	750	32	1-1/4"	25	1"	145	140	125	95	12	-	42	11.5
MTS-54(T)	1 1/2	1125	32	1-1/4"	25	1"	145	141	130	115	95	50	55	12.5
MTS-55(T)	2	1500	32	1-1/4"	25	1"	145	142	135	125	115	95	68	17

Remarks : "T" is means three phase

Curve



35 MTS-8 16 Series

Stainless Steel Multistage Centrifugal Pumps

MTS-8 16

Stainless Steel Multistage Centrifugal Pumps



- Liquid temperature : 0~90°C / 32~194°F
- HP range : 1.5~5HP / 1.1~3.7KW
- PH : 6~8
- Rated Speed : 2900 / 3450 rpm
- Protection calcs : IP55
- Maximum suction : 1M

Features

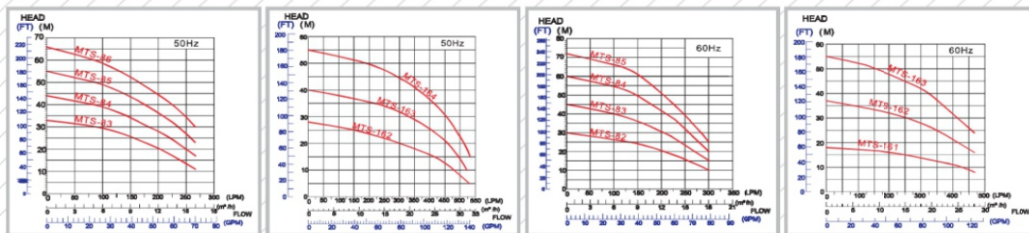
1. Clean water: the pump casing, impeller and diffuser were made from stainless steel.
2. Low noise: new designed vortex fan can reduce the noise.
3. Suitable for outdoor environment(IP55).
4. High quality mechanical seal can endure the high temperature up to 90°C.

Applications

1. Home booster
2. Constant pressure system
3. Gardening and sprinkling
4. Air conditioner recirculation system
5. Filtration system



Curve



Specification

50Hz

Model No.	Output		Inlet		Outlet		Max Flow(LPM)	LPM Flow @ Head					Max Head(M)	Weight Kg
	HP	KW	mm	inch	mm	inch		10M	20M	30M	40M	50M		
MTS-83	1.5	1.1	40	1.5"	40	1.5"	310	270	200	75	-	-	33	12
MTS-84	2	1.5	40	1.5"	40	1.5"	310	280	250	185	75	-	44	15
MTS-85	3	2.2	40	1.5"	40	1.5"	310	285	275	235	185	75	55	24
MTS-86	5	3.7	40	1.5"	40	1.5"	310	290	285	265	225	160	66	26
MTS-162	2	1.5	50	2"	50	2"	540	480	300	-	-	-	28	16
MTS-163	3	2.2	50	2"	50	2"	540	520	460	330	-	-	40	22
MTS-164	5	3.7	50	2"	50	2"	540	535	510	455	360	190	55	27

60Hz

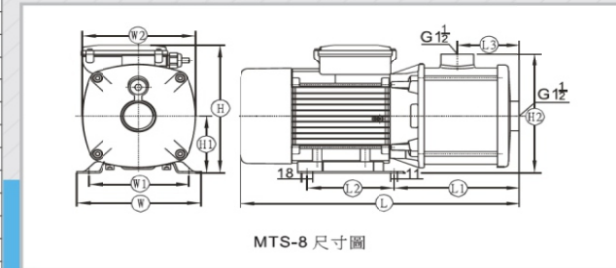
Model No.	Output		Inlet		Outlet		Max Flow(LPM)	LPM Flow @ Head					Max Head(M)	Weight Kg
	HP	KW	mm	inch	mm	inch		10M	20M	30M	40M	50M		
MTS-82	2	1.5	40	1.5"	40	1.5"	330	300	200	-	-	-	30	15
MTS-83	3	2.2	40	1.5"	40	1.5"	330	305	265	200	100	-	45	24
MTS-84	4	3	40	1.5"	40	1.5"	330	310	300	255	200	145	60	26
MTS-85	5	3.7	40	1.5"	40	1.5"	330	320	310	270	235	200	72	28
MTS-161	2	1.5	50	2"	50	2"	550	420	-	-	-	-	18	16
MTS-162	4	3	50	2"	50	2"	550	500	420	245	-	-	37	22
MTS-163	5	3.7	50	2"	50	2"	550	520	480	420	320	155	55	27

Remarks:"T" is means three phase

Dimension

50Hz

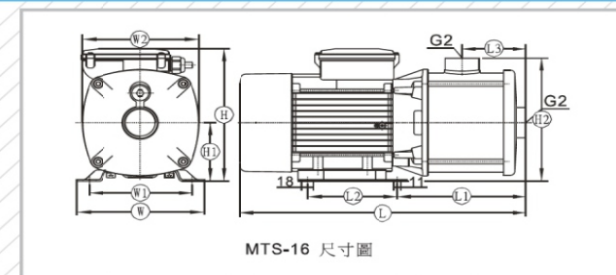
Model	Dimension									
	W	W1	W2	L	L1	L2	L3	H	H1	H2
MTS-83	158	125	182	408	200	96	100	232	100	208
MTS-83T	158	125	182	408	200	96	100	212	100	208
MTS-84	158	125	182	438	230	96	130	232	100	208
MTS-84T	158	125	182	438	230	96	130	212	100	208
MTS-85	199	160	182	539	290	140	190	244	100	208
MTS-85T	158	125	182	498	290	96	190	212	100	208
MTS-86T	199	160	182	559	290	140	190	217	100	208
MTS-162	158	125	182	439	230	96	130	232	100	208
MTS-162T	158	125	182	439	230	96	130	212	100	208
MTS-163	199	160	182	480	230	140	130	244	100	208
MTS-163T	199	160	182	480	230	140	130	212	100	208
MTS-164T	199	160	182	545	275	140	175	217	100	208



MTS-8 尺寸圖

60Hz

Model	Dimension									
	W	W1	W2	L	L1	L2	L3	H	H1	H2
MTS-82	158	125	182	408	200	96	100	232	100	208
MTS-82T	158	125	182	408	200	96	100	217	100	208
MTS-83	199	125	182	449	200	140	100	244	100	208
MTS-83T	158	125	182	408	200	96	100	217	100	208
MTS-84T	199	160	182	499	230	140	130	212	100	208
MTS-85T	199	160	182	559	290	140	190	212	100	208
MTS-161	158	125	182	439	230	96	130	232	100	206
MTS-161T	158	125	182	439	230	96	130	217	100	206
MTS-162T	199	160	182	500	230	140	130	212	100	206
MTS-163T	199	160	182	510	230	140	130	260	100	206



MTS-16 尺寸圖