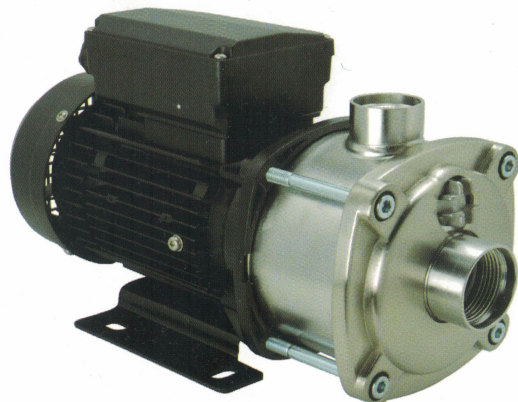
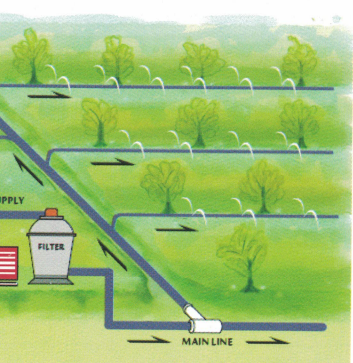
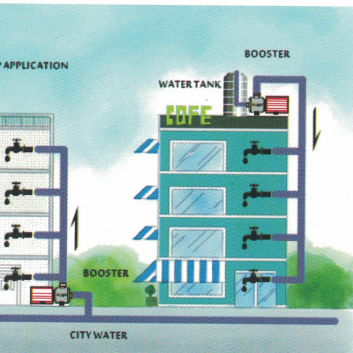


TS Series

MTS-3 5

FOR: VIETNAM , TAIWAN

Ứng dụng / Schematic Function



- Liquid temperature: 0~90°C / 32~194°F
- HP range: 1/3~2 HP / 0.25~1.5KW
- PH value: 6~8
- Rated speed: 2900 / 3450rpm
- IP class: IP55
- Max. suction: 1M

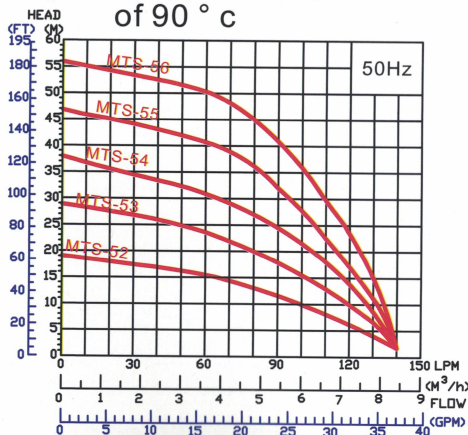
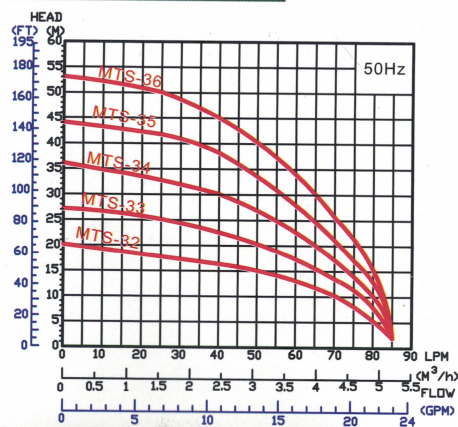
xác nhận / Certification



Tính năng / Features

- 1, clean water
Liquids come into contact with parts are stainless steel
- 2, low noise
Design of a new cooling fan, reducing wind shear operation more mute
- 3, motor protection rating: IP55
Higher level of protection, suitable for outdoor
- 4, high quality mechanical shaft seal is resistant to temperature of 90 ° c

Đường cong / Curve



Ứng dụng / Applications

- Household pumping and pressure systems
- Frequency conversion constant pressure systems
- Garden sprinkler irrigation, sprinkler system
- Circulating water system of air conditioning
- Filter systems

Thông số kỹ thuật / Specification

Output	Inlet		Outlet		Max Flow (LPM)	LPM Flow @ Head					Max Head (M)	Weight Kg	
	W	mm	inch	mm		inch	5M	10M	15M	20M			25M
3	250	25	1"	25	1"	85	80	70	50	-	-	20	7.4
2	400	25	1"	25	1"	85	83	75	65	50	25	27	7.5

Output	Inlet		Outlet		Max Flow (LPM)	LPM Flow @ Head					Max Head (M)	Weight Kg	
	W	mm	inch	mm		inch	10M	20M	30M	40M			50M
4	550	25	1"	25	1"	85	80	65	40	-	-	36	10
	750	25	1"	25	1"	85	82	70	55	35	-	44	10.5
2	1125	25	1"	25	1"	85	83	75	65	50	25	53	12

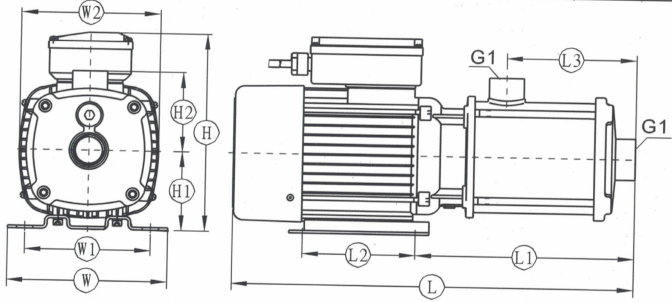
Output	Inlet		Outlet		Max Flow (LPM)	LPM Flow @ Head					Max Head (M)	Weight Kg	
	W	mm	inch	mm		inch	5M	10M	15M	20M			25M
	400	32	1-1/4"	25	1"	140	125	100	65	-	-	19	8
	550	32	1-1/4"	25	1"	140	135	120	100	80	50	29	10

Output	Inlet		Outlet		Max Flow (LPM)	LPM Flow @ Head					Max Head (M)	Weight Kg	
	W	mm	inch	mm		inch	10M	20M	30M	40M			50M
	750	32	1-1/4"	25	1"	140	130	105	65	-	-	38	11.5
	1125	32	1-1/4"	25	1"	140	132	115	95	65	-	47	12.5
	1500	32	1-1/4"	25	1"	140	135	125	110	92	62	56	15

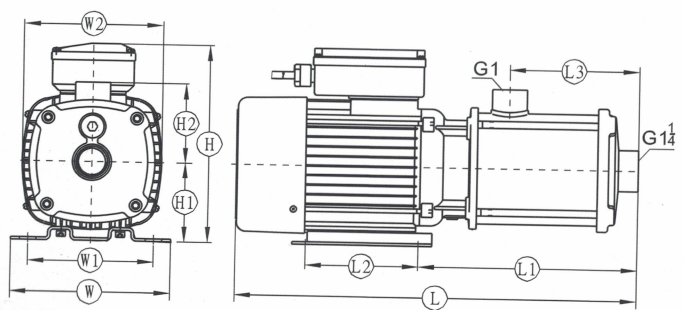
Kích thước / Dimension

Model	Dimension										
	W	W1	W2	H		H1	H2	L	L1	L2	L3
				1Ø	3Ø						
mm	mm	mm	mm	mm	mm	mm	mm	mm	mm	mm	mm
MTS-32	158	125	140	187	174	75	90	318	131	96	72
MTS-33	158	125	140	187	174	75	90	318	131	96	72
MTS-34	158	125	140	187	174	75	90	365	149	96	90
MTS-35	158	125	140	187	174	75	90	383	167	96	108
MTS-36	158	125	140	200	188	75	90	416	203	96	144
MTS-52	158	125	140	187	174	75	90	318	131	96	72
MTS-53	158	125	140	187	174	75	90	347	131	96	72
MTS-54	158	125	140	200	188	75	90	362	149	96	90
MTS-55	158	125	140	200	188	75	90	380	167	96	108
MTS-56	178	140	155	224	211	90	90	446	243	125	144

20
MTS Series



MTS-3 Series



MTS-5 Series

