

Technical data

Pump name

100x80 FS4GCA 5 3.7

Customer	Date 31-March-2020	Company
Contact	Item no.	Issued by
Phone	Project	Phone
E-mail	Project ID	E-mail

Requested data

1	Pump type	End Suction Volute Pump	Fluid	Water, clean
2	Number of pumps / Reserve	1 / 0	Liquid temperature	°C 20
3	Flow	m ³ /h 0	Kin. viscosity	mm ² /s 1
4	Head	m 0	Vapour pressure	bar 0.022
5	Geodetic head	m 0	PH value	7
6	Inlet pressure (pin)	bar 0.1	Density	kg/dm ³ 1
7	Available system NPSH	0	Solids	Weight % 0
8	Ambient temperature	°C 20		

Pump

9	Pump name	100x80 FS4GCA 5 3.7	Frequency	Hz 50
10	Design	End Suction Volute Pump	Installation type	with base, motor
11	Manufacturer	PTEI	Impeller Diameter	Max. mm 193
12	Speed	1/min 1450		Designed mm 193
13	No. of Stage	1		Min. mm 166
14	Connection	Suction side JIS 10K	Flow	Operating m ³ /h
15	Connection	Discharge side JIS 10K		Max- m ³ /h 146
16	Max Working Pressure	bar 10		Min- m ³ /h 24
17	Shut-off head	bar 1.19	Head	Operating m
18	Total weight	kg See the table of "Dimensions".		- (Qmax.) m 5.4
19	Shaft power	kW		- (Qmin.) m 11.8
20			Max. Shaft Power at max. impeller	kW 3.47
21	Required pump NPSH	m	Efficiency	%

Materials

22	Casing	Cast iron	M.S.mating ring	Ceramic
23	Impeller	Bronze	M.S.seal ring	Carbon
24	Shaft	403 Stainless steel		
25	Casing ring	Bronze		
26	Ball bearing	.		
27	Mechanical seal	.		

Motor

28	Manufacturer	TECO	Insulation class	F
29	Type	112M_B3_3.7_3_400	Phases	3~
30	Specific design	TEFC / 50 Hz / Pole pairs 2	Frame size	112 M
31	Rated power	kW 3.7	Weight	kg 43
32	Number of poles	4	Electric voltage	V 400
33	Speed	1/min 1440	Electric current	A 7.64
34	Degree of protection	IP 55		
35				

Remarks

Performance curve Pump name 100x80 FS4GCA 5 3.7

Customer	Date 31-March-2020	Company
Contact	Item no.	Issued by
Phone	Project	Phone
E-mail	Project ID	E-mail

Requested data

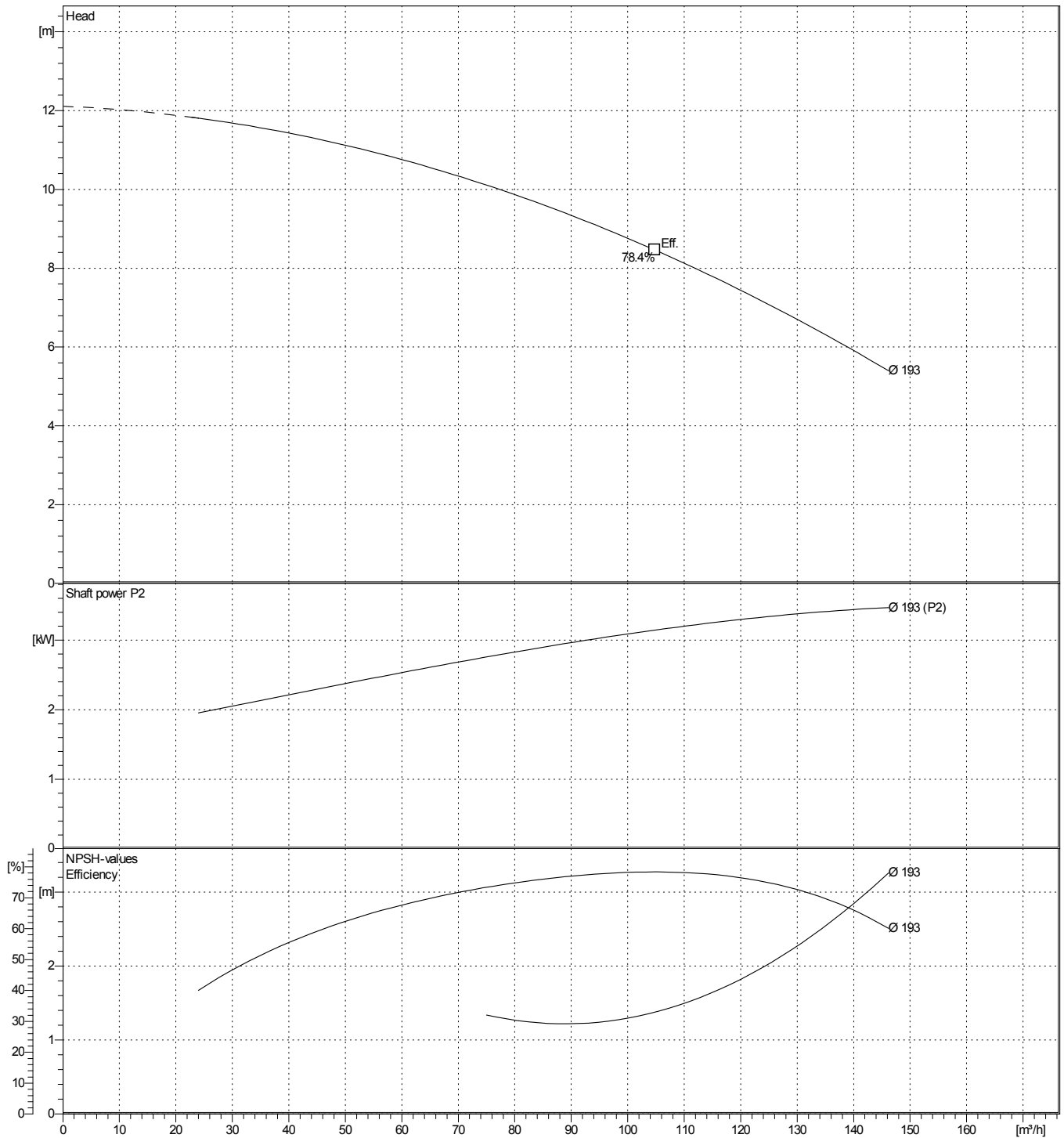
1	Flow	m ³ /h	0
2	Head	m	0
3	Geodetic head	m	0

Pump

Operating Flow	m ³ /h	Frequency	Hz	50
Operating Head	m	Number of poles	4	
Impeller Diameter	Designed mm	193	Speed	1/min

Test standard: ISO 9906:2012 - Grade3B

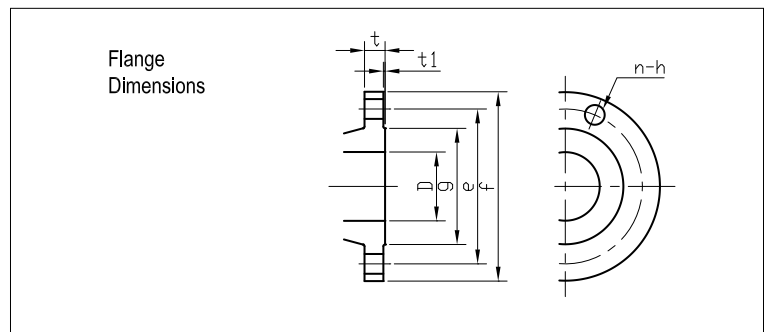
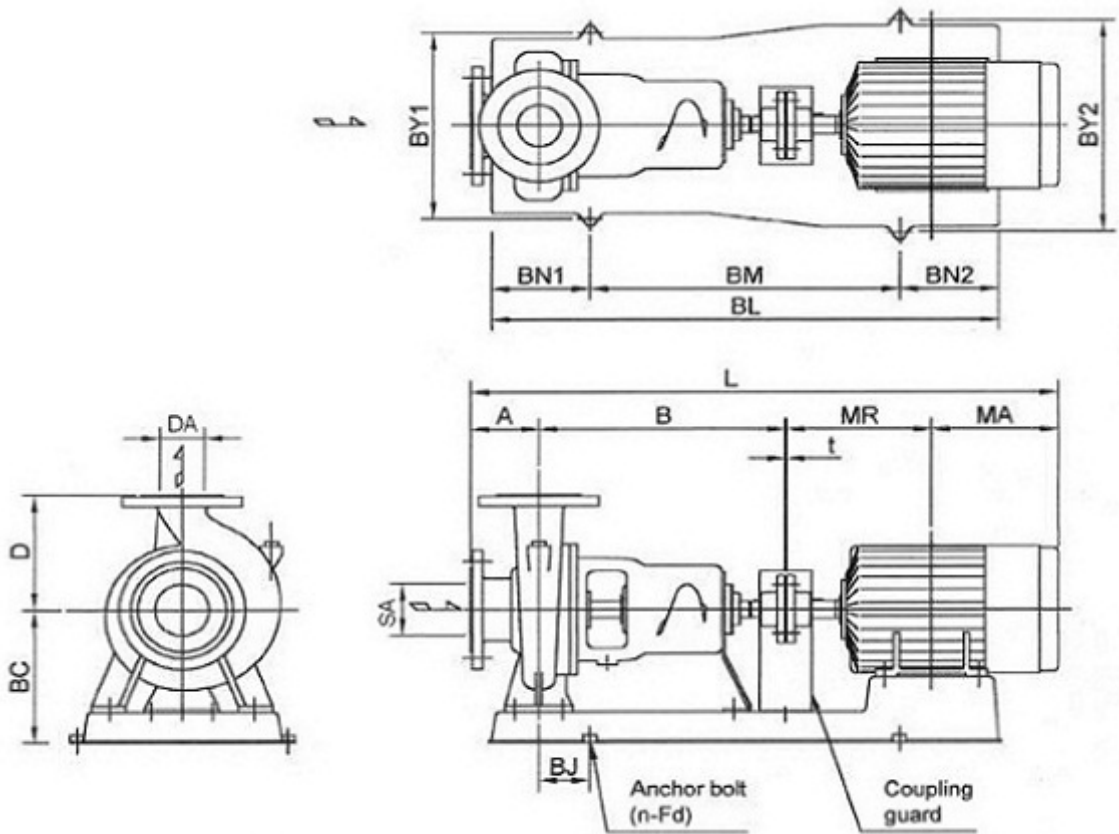
Water, clean [100%] ; 20°C; 0.9983kg/dm³; 1mm²/s



Dimensions

Pump name 100x80 FS4GCA 5 3.7

Customer	Date 31-March-2020	Company
Contact	Item no.	Issued by
Phone	Project	Phone
E-mail	Project ID	E-mail



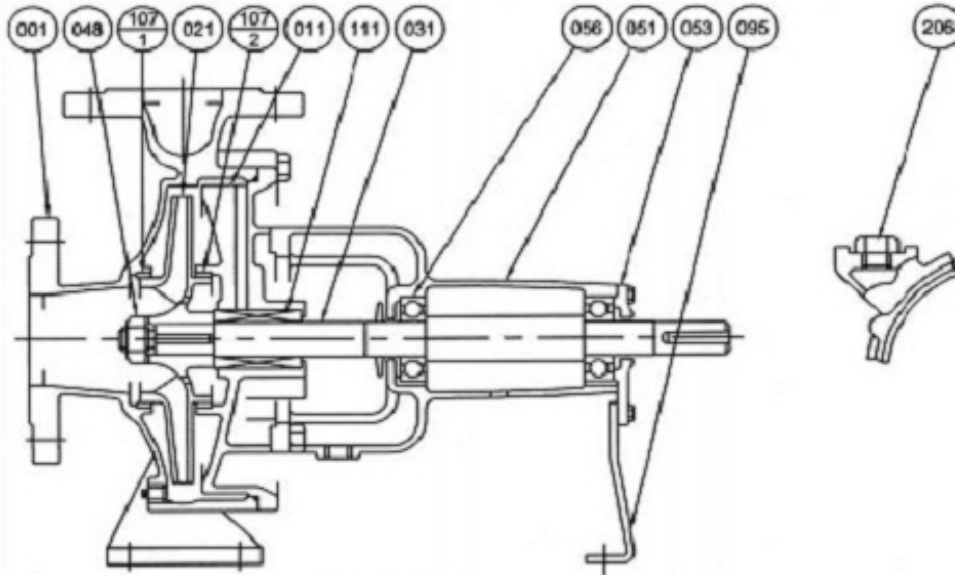
Total weight : 139 kg

Pump dimensions				mm		Suction side		mm		Discharge side		mm	
A	125	L	879.5	D	100	D	80						
B	360	MA	191.5	e	175	e	150						
BC	230	MR	200	f	210	f	185						
BJ	40	n	4 (Num)	g	151	g	126						
BL	740	SA	100	h	19	h	19						
BM	480	t	3	n Num	8	n Num	8						
BN1	115			t	24	t	22						
BN2	145			t1	2	t1	2						
BY1	400												
BY2	290												
D	225												
DA	80												
Fd	M12												

(1/2) Construction

Pump name 100x80 FS4GCA 5 3.7

Customer	Date 31-March-2020	Company
Contact	Item no.	Issued by
Phone	Project	Phone
E-mail	Project ID	E-mail

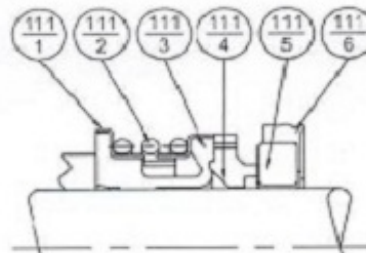
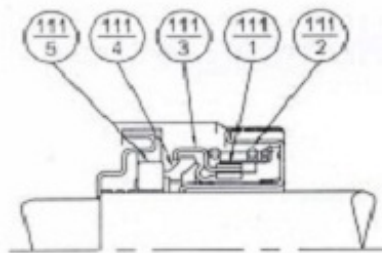


Model FH

50x40 FSHA; 65x50 FSHA, FSJA;
80x65 FSGA, FSHA, FSJA, FSKA;
100x80 FSGA, FSHA, FSJA;
125x100 FSKA

Model EA

100x65 FSKA; 100x80 FSGCA, FSHCA;
125x100 FSJCA, FSLA;
150x100 FSKA, FSNA;
150x125 FSHA, FSJA, FSKA, FSLA;
200x150 FSHA, FSJA, FSKA, FSLA, FSNA;
250x200 FSLA, FSNA



111-5	Mating Ring	Ceramic	1
111-4	Seal Ring	Carbon	
111-3	Friction Ring	NBR	
111-2	Coil Spring	Stainless Steel	
111-1	Spring Holder	Stainless Steel	
No.	Part Name	Material	Qty

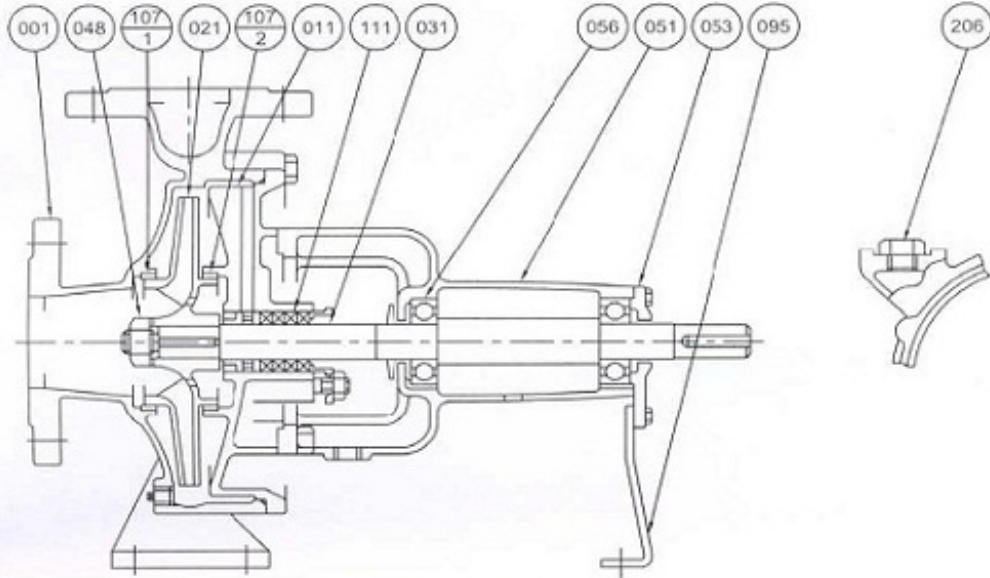
111-6	Cup Gasket	NBR	1
111-5	Mating Ring	Ceramic	
111-4	Seal Ring	Carbon	
111-3	Bellows	NBR	
111-2	Spring	Stainless Steel	
111-1	Spring Holder	Stainless Steel	
No.	Part Name	Material	Qty

207	Plug	Steel	1
111	Mechanical Seal	-	
107-2	Casing Ring	Bronze	
107-1	Casing Ring	Bronze	1
095	Stay	Steel	
056	Ball Bearing	-	2
053	Bearing Cover	Cast Iron	1
051	Bearing Housing		
048	Impeller Nut	Brass	1
031	Shaft	Stainless Steel	
021	Impeller	Bronze	
011	Casing Cover	Cast Iron	
001	Casing		
No.	Part Name	Material	Qty

(2/2) Construction

Pump name 100x80 FS4GCA 5 3.7

Customer	Date 31-March-2020	Company
Contact	Item no.	Issued by
Phone	Project	Phone
E-mail	Project ID	E-mail

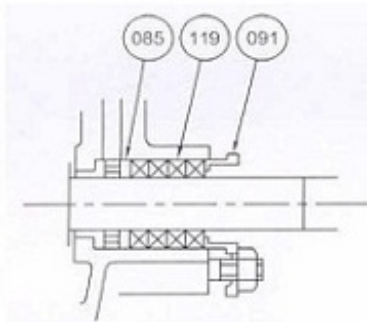


With Lantern Ring

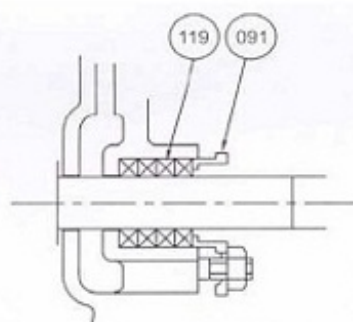
50x40 FSHA; 65x50 FSHA, FSJA;
80x65 FSGA, FSHA;
100x80 FSGA; 125x100 FSLA;
150x100 FSKA, FSNA;
150x125 FSKA, FSLA;
200x150 FSJA, FSLA, FSNA;
250x200 FSLA, FSNA

Without Lantern Ring

80x65 FSJA, FSKA;
100x65 FSKA;
100x80 FSHA, FSJA, FSGCA, FSHCA;
125x100 FSJCA, FSKA;
150x125 FSHA, FSJA;
200x150 FSHA, FSKA;



119	Gland Packing	Non-Asbestos	4 or 5
091	Gland	Bronze	1
085	Lantern Ring		
No.	Part Name	Material	Qty



119	Gland Packing	Non-Asbestos	4 or 5
091	Gland	Bronze	1
No.	Part Name	Material	Qty

207	Plug	Steel	1
111	Gland Packing	Non-Asbestos	4 or 5
107-2	Casing Ring	Bronze	1
107-1	Casing Ring		
095	Stay	Steel	1
056	Ball Bearing	-	2
053	Bearing Cover	Cast Iron	1
051	Bearing Housing		
048	Impeller Nut	Brass	
031	Shaft	Stainless Steel	
021	Impeller	Bronze	
011	Casing Cover	Cast Iron	
001	Casing		
No.	Part Name	Material	Qty