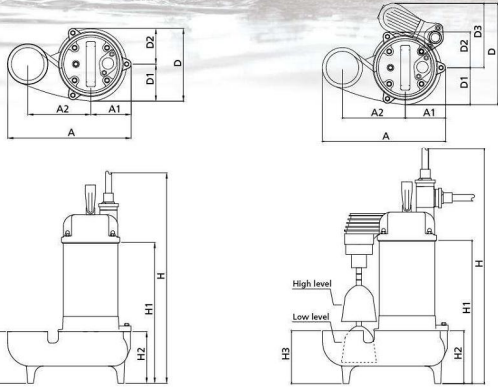


ESV-Series Dimensions



Dimensions (mm)												
Type	A	A1	A2	D	D1	D2	D3	H	H1	H2	H3	
40ESV-5.02	213	83	90	130	63	67	--	314	235	81	81	
40ESA-5.03A	213	83	90	185	63	--	122	350	235	81	81	
40ESV-5.02AG	213	83	90	210	63	--	147	350	235	81	81	
50ESV-5.02	228	83	110	130	63	67	--	324	245	91	91	
50ESV-5.02A	228	83	110	185	63	--	122	360	245	91	91	
50ESV-5.02AG	228	83	110	210	63	--	147	360	245	91	91	
40ESV-5.03	213	83	90	130	63	67	--	324	245	81	81	
40ESA-5.03A	213	83	90	185	63	--	122	360	245	81	81	
40ESV-5.03AG	213	83	90	210	63	--	147	360	245	81	81	
50ESV-5.03	228	83	110	130	63	67	--	334	255	91	91	
50ESV-5.03A	228	83	110	185	63	--	122	370	255	91	91	
50ESV-5.03AG	228	83	110	210	63	--	147	370	255	91	91	



EVAK PUMP TECHNOLOGY CORP.

No. 551, Zhongshan Rd., Qingshui Dist., Taichung City 436, Taiwan.
 TEL: +886-426-233556 Fax: +886-426-235559

ESV SERIES 50HZ

Submersible Vortex Sewage Pump



www.evak-pumps.com

ESV SERIES 50HZ

Submersible Vortex Sewage Pump

Feature

- / Oil Chamber design to ensure Mech. Seal long service life
- / Suspended impeller design, non-clogging
- / E class insulation

Application

- / Discharge water
- / Livestock production
- / Sprinkling
- / Sump pit

Specifications

Liquid Temperature	0-40°C (32-104°F)
Submersible depth	10M
Frequency	50Hz
Pole	2 Pole
Motor Type	Dry Motor
Insulation	Class E
Protection	IP 68
Protector	Auto-cut
Bearing	Ball Type
Mechanical seal	Dual. Mechanical Seal
Impeller	Semi-Open



ESV-5.02/5.03

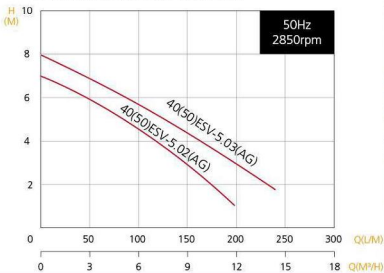


ABS+Glass Fiber Impeller



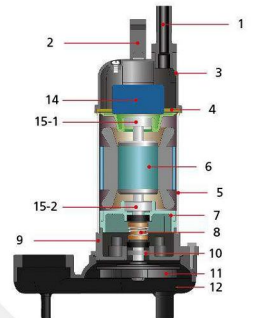
ESV-5.02AG/5.03AG

Performance Curve

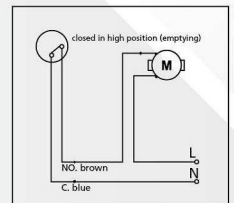
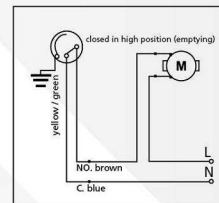


Parts and Material List

No	Part	Material
1	Cable	HOSRN-F5/TOW
2	Handle	PA6
3	Motor Cover	PA66+Glass Fiber
4	Bracket	Steel
5	Motor Housing	SUS 304
6	Shaft with Rotor	SUS 410
7	Oil Chamber	FC 200
8	Double Mech. Seal	Upper : CA/CE Lower : CA/CE
9	Seal Housing	Nylon
10	Oil Seal	NBR
11	Impeller	ABS + Glass Fiber
12	Pump Casing	FC 200
14	Capacitor (Single phase only)	
15-1	Upper Bearing	NTN
15-2	Lower Bearing	NTN



AGMA W level regulator



» Agma W level regulator is a very useful instrument when used directly on pumps which must work in very small wells

Data Chart

Type	Output		Discharge	F.L.A.		Rated	Maximum		Cable	Free Passage		Weight
	HP	W		1ø 230V	3ø 400V		Head m	Cap. LPM		Head m	Cap. LPM	
40(S)ESV-5.02	0.2	150	1.5"(2")	1.6	-	4	110	7	180	5	24	7.2
40(S)ESV-5.02A	0.2	150	1.5"(2")	1.6	-	4	110	7	180	5	24	7.5
40(S)ESV-5.02AG	0.2	150	1.5"(2")	1.6	-	4	110	7	180	5	24	7.5
40(S)ESV-5.03	0.3	250	1.5"(2")	2	-	4.5	140	8	230	5	25	7.4
40(S)ESV-5.03A	0.3	250	1.5"(2")	2	-	4.5	140	8	230	5	25	7.7
40(S)ESV-5.03AG	0.3	250	1.5"(2")	2	-	4.5	140	8	230	5	25	7.7

» A identifies black float switch ; AG identifies AGMA W level regulator.