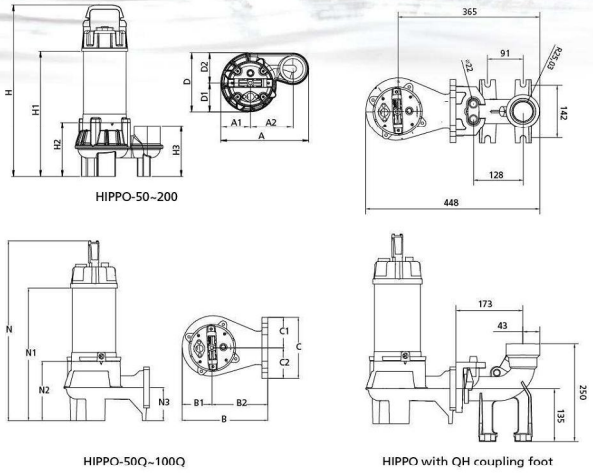


HIPPO-Series Dimensions



Dimensions (mm)																				
Type	A	A1	A2	B	B1	B2	C	C1	C2	D	D1	D2	H	H1	H2	H3	N	N1	N2	N3
HIPPO-50	244	82	118	231	81	150	165	82.5	82.5	164	80	84	466	336	151	141	470	342	161	90
HIPPO-75	244	82	118	231	81	150	165	82.5	82.5	164	80	84	482	352	151	141	486	358	161	90
HIPPO-100	244	82	118	231	81	150	165	82.5	82.5	164	80	84	496	366	151	141	500	372	161	90
HIPPO-150	271	93	135	-	-	-	-	-	-	186	88	98	506	376	151	143	-	-	-	-
HIPPO-200	271	93	135	-	-	-	-	-	-	186	88	98	520	396	151	143	-	-	-	-

EVAK PUMP TECHNOLOGY CORP.
 No. 551, Zhongshan Rd., Qingshui Dist., Taichung City 436, Taiwan.
 TEL: +886-426-233556 Fax: +886-426-235559

HIPPO SERIES 50HZ

2" Full Free Passage Submersible Pump



www.evak-pumps.com

HIPPO SERIES 50HZ

2" Full Free Passage Submersible Pump

Feature

- / Recessed vortex impeller
- / 2" gas discharge
- / 2" (50mm) solid free-passage
- / EKK Eagle Burgmann double mechanical seal in Si.Ca
- / Stainless steel motor housing

Application

- / For heavy-duty applications with soiled biological wastewaters, sewage, rainwater
- / For both domestic and professional use

Operating Limits

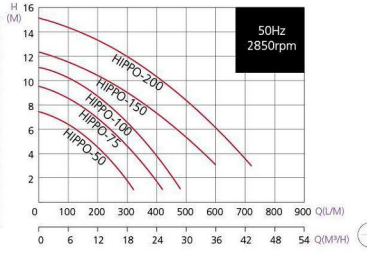
- / Viscosity of treated fluid : 1mm²/s
- / Density of treated fluid : 1kg/dm³
- / Max starts per hour : 20



Specifications

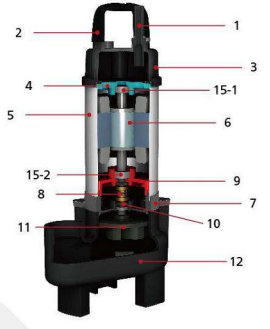
Liquid Temperature	0~40°C (32~104°F)	
Submersible depth	10M	
Frequency	50Hz	
Pole	2 Pole	
Type	Dry Type	
Insulation	Class B	
Protection	IP 68	
Protector	Auto-cut	
Bearing	Ball Type	
Mechanical seal	Double Mechanical Seal	
Impeller	Semi-Open	

Performance Curve



Parts and Material List

No	Part	Material
1	Cable	H07RN-F/SJTW/STOW/SJTOW
2	Handle	Nylon66+30GF
3	Motor Cover	Nylon 66 (0.5-1HP) FC 200 (1.5-2HP)
4	Bracket	FC 200
5	Motor Housing	SUS 304
6	Shaft with Rotor	SUS 410
7	Oil Chamber	FC 200
8	Double Mech. Seal	Upper : CA / CE Lower : SIC / SIC
9	Seal Housing	FC 200
10	Oil Seal	NBR
11	Impeller	FC 200
12	Pump Casing	FC 200
15-1	Upper Bearing	NTN
15-1	Lower Bearing	NTN

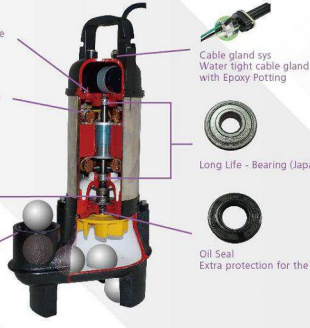


Overload protector for 3 phase

Thermal protector for 1 phase

EKK Eagle Burgmann silicon Double mech. seal

Pump volute 2" solid free-passage



Data Chart

Type	Output		Discharge	F.L.A.		Rated	Maximum	Cable	Free Passage	Weight		
	HP	KW		1ø 230V	3ø 400V						Head m	Cap. LPM
HIPPO-50(Q)	0.5	0.37	2"	3.8	1.5	4.5	200	7.6	320	10	50	14(15.5)
HIPPO-75(Q)	0.75	0.55	2"	5.4	1.7	6.4	220	9.7	420	10	50	15(16.5)
HIPPO-100(Q)	1	0.75	2"	6.7	2.4	7.7	250	11.3	480	10	50	16.5(18)
HIPPO-150(Q)	1.5	1.1	2"	9	2.8	8	360	12.5	600	10	50	25(26.5)
HIPPO-200(Q)	2	1.5	2"	12	3.9	10.3	400	15.5	720	10	50	26(27.5)

- » HIPPO series standard version features a vertical, threaded outlet pump body.
- » (Q) in the name-coding identifies the pump with horizontal flanged outlet.
- » QH identifies the suitable coupling foot for all HIPPO models.
- » All single-phase pumps can be equipped with float switch upon request.