



2~3HP



5~7.5HP

Optional

50HZ



EAF pumps with guide rail device (Q.D.C-Quick Discharge Connection)

Optional



EAF pumps with SUS304 strainer

## Features

- Non-clogging impeller minimizes abrasives wear and allows large solid passage.
- Dry motor with overload protector, cable with an epoxy resin sealed water-proof cable hood, high grade cast iron pump casing and motor housing, deep groove C3 bearing to extend life time.
- Superior abrasion resistant double mechanical seal made of silicon carbide to ensure best seal effect.
- Guide Rail Device is available for safety purpose.
- Oil seal mounted outside of seal chamber stops solids gathering around seal faces.

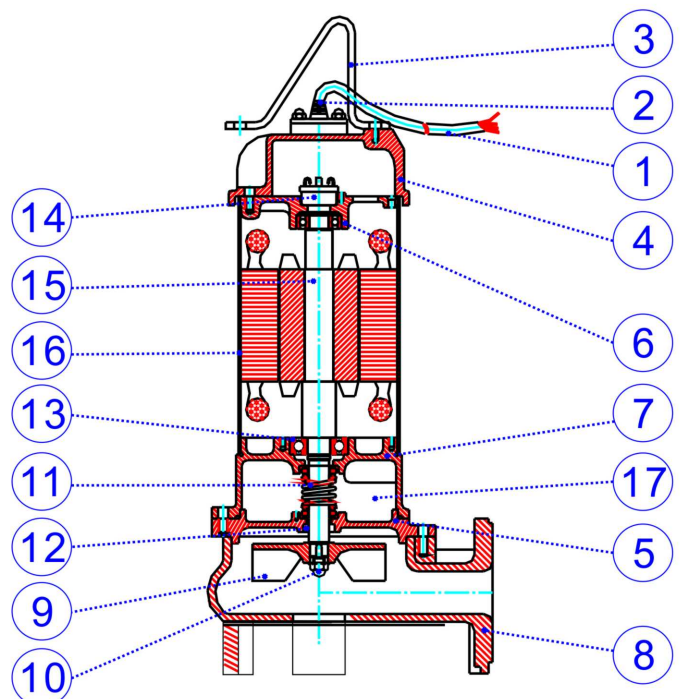
## Parts and Materials List

No.	Parts	Std. Material
		EAF Model
1	Cable	VCT
2	Cable hood	PVC
3	Handle	SS400
4	Motor cover	FC200
5	Seal housing	FC200
6	Bracket	FC200
7	Oil chamber	FC200
8	Pump casing	FC200
9	Impeller	FC200
10	Nut	SUS304
11	Mech. seal	SIC/SIC
12	Oil seal	NBR
13	Bearing	(NTN brand)
14	Overload protector	(T.I.brand)
15	Shaft	SUS410
16	Motor housing	FC200
17	Lubricant oil	(Turbine Oil ISO VG46)

• Mech.seal (sic/sic)material is optional upon request.

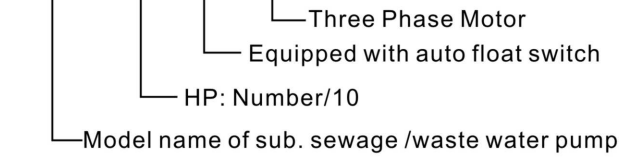
## Applications

- Waste water drainage from all industries.
- Sewage drainage from hotels, restaurants, schools, malls, and public buildings..etc.
- Fishery, animal husbandry, stock farm, piggery, and fecal sewage tank in water treatment plant.
- Drainage of waste water containing fibrous additives from leather factories, dyeing factories and food processing plants.



### Model Code

**EAF-20(A)(T)**



**Non-clogging Vortex impeller**  
It can allow long fibrous materials and other solid waste to pass through. No clogging impeller.



**Auto float switch**  
Single phase sub. pump equipped with auto float switch.(2hp)

**50HZ**

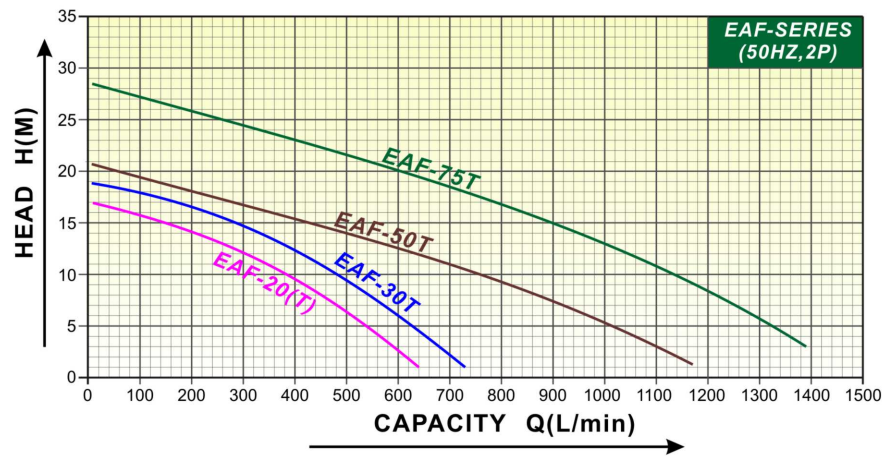
### Operating Conditions

- Water temperature: 0~40°C.
- Ambient temperature: 0~40°C.
- Solid passage: 35~50MM.
- Operating water depth: Max.10M.
- No 24hrs continuously running.
- No use in (100%)pure sea water.

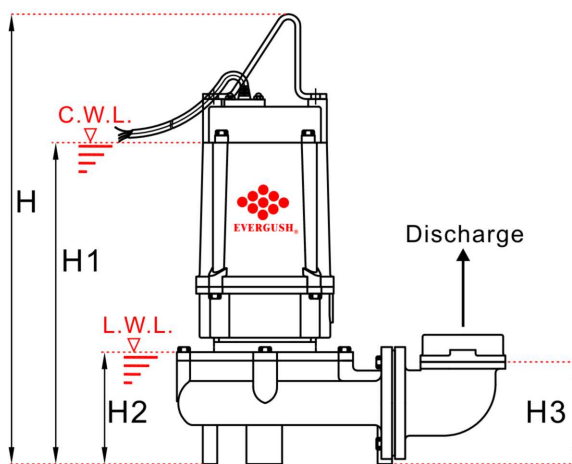
### Motor Spec.

- 2P dry type motor.
- Insulation: F class.
- Protection: IP68.
- Frequency: 50HZ.
- Voltage: 1ø220~240V(only 2HP).
- 3ø220~440V(all models).

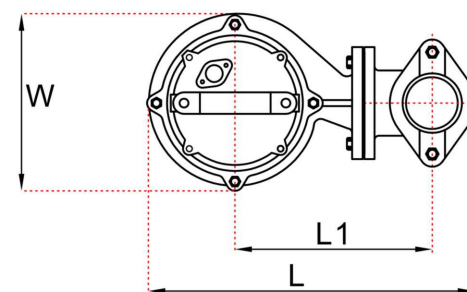
### Performance Curves



### Specification & Dimensions



C.W.L.: Continuously Running Water Level.  
L.W.L.: Lowest Running Water Level.



**NOTE:** Forbid running submersible pumps continuously under L.W.L.

Model	Power		Disch. Inch	Phase φ	Rated		Max.		Dimensions (mm)							Cable M	Net Weight KG	Solid Passage MM
	KW	HP			Head M	Capacity LPM	Head M	Cap. LPM	L	L1	W	H	H1	H2	H3			
EAF-20(A)(T)	1.5	2	2"(3")	1,3	9~10	420~380	17.0	650	385	233	210	530	379	132	121	5	33	35
EAF-30T	2.2	3	2"(3")	3	10~11	480~450	19.0	750	385	233	210	560	409	132	121	5	37	35
EAF-50T	3.7	5	3"(4")	3	11~14	700~500	21	1200	459	256	227	625	465	182	200	5	62	50
EAF-75T	5.5	7.5	3"(4")	3	13~15	1000~900	28.5	1450	459	256	227	665	505	182	200	5	67	50

Remarks: ●(A): Equipped with automatic float switch. ●(T): Three phase motor. ●10M cable are available for all models per special request.



**50HZ**



**Product Features:**

- Through simple and convenient installation, we can connect the pump onto guide rail device. Whenever the pump needs maintenance, it can be easily pulled out through guide bar to dismantle, repair or examine the pump. For safety purpose, The workers no longer need to go down the septic tank to do maintenance. It will greatly reduce down time.

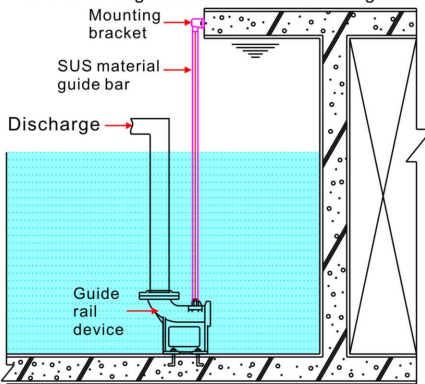
**Applications:**

- Animal husbandry and dairying septic tank waste water drainage; sewers, apartments, buildings and basements sewage treatment equipment drainage; Dye house, fur and leather industry and steel industry waste water drainage; other waste water treatments drainage.

**Installation Diagram:**

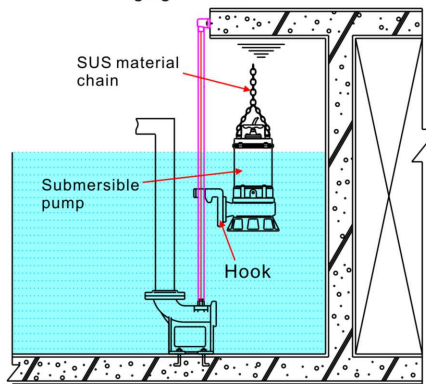
**Step 1**

Guide rail device should connect to discharge pipeline. It should be firmly fixed to the bottom. After that, you should use mounting bracket connects to the guide bar.



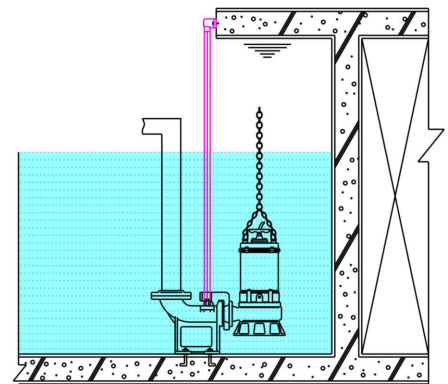
**Step 2**

The hook should connect to the pump. After that, you should use the chain to slowly slide it down through guide bar.

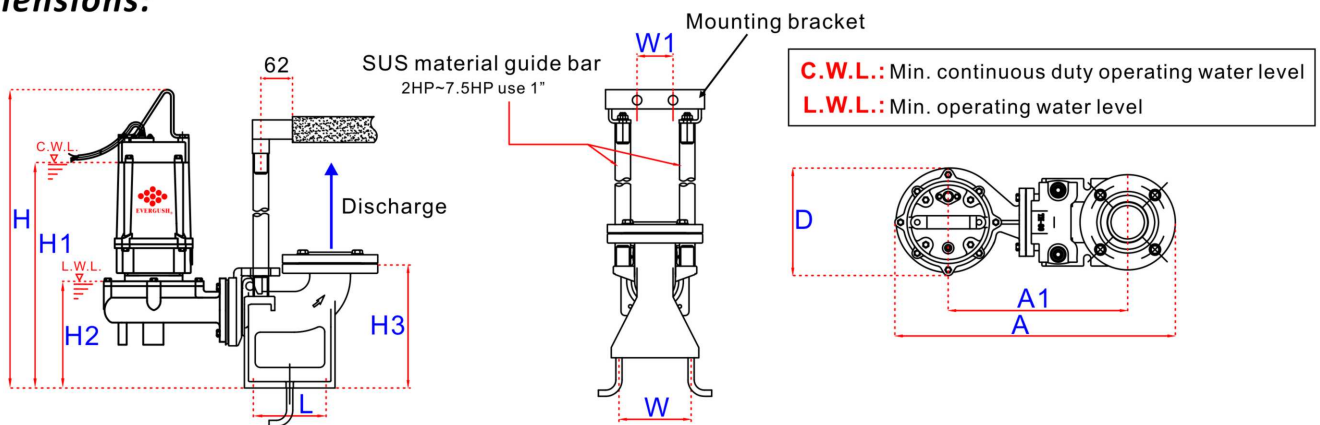


**Step 3**

The pump will slide down through guide bar until it connects to guide rail device tightly.



**Dimensions:**



Model	Disch.	Power	Dimensions(mm)										Net Weight
	Inch	HP	A	A1	D	H	H1	H2	H3	L	W	W1	KG
TOS-EAF-20(T)	2"~3"	2	547	352	210	607	455	208	241	---	140	70	49
TOS-EAF-30T	2"~3"	3	547	352	210	637	485	208	241	---	140	70	53
TOS-EAF-50T	4"	5	675	473	227	733	573	290	310	160	150	70	86
TOS-EAF-75T	4"	7.5	675	473	227	773	613	290	310	160	150	70	91

Remarks: ● TOS means cast iron guide rail device. ● "T" means 3 phase motor.