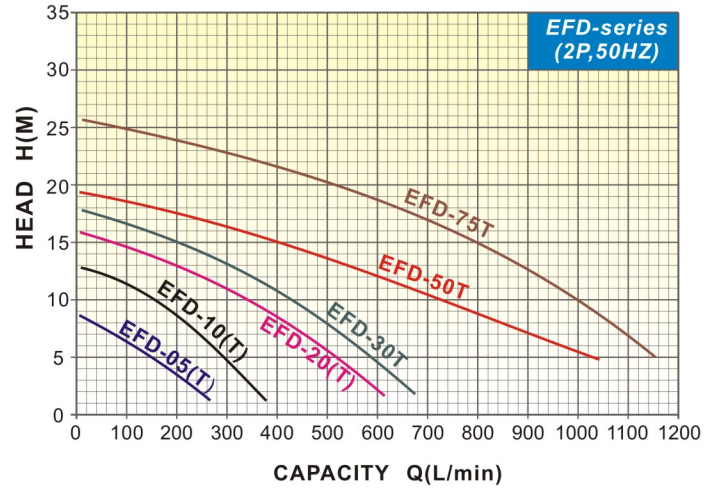




Powerful SUS316 agitator on vortex impeller

Performance Curves



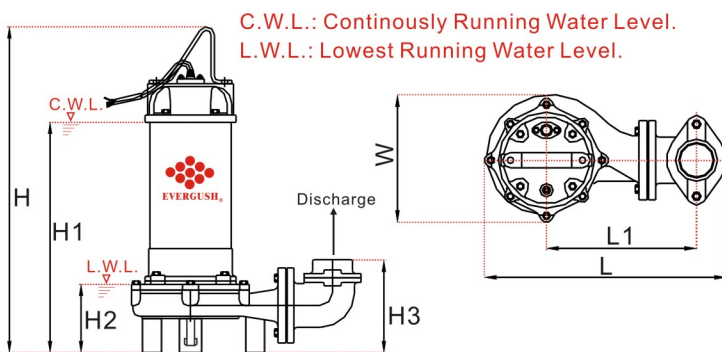
Features

- Superior abrasion resistant double mechanical seal made of silicon carbide(SIC) to ensure best seal effect and reduce abrasion from slurry.
- Equipped with stainless steel(SUS316)agitator to create powerful stirring and pumping action for slurry.

Applications

- Drainage slurry from construction site, factories..etc.
- Civil or tunnel engineering.Dewatering fluid containing solid sediment.

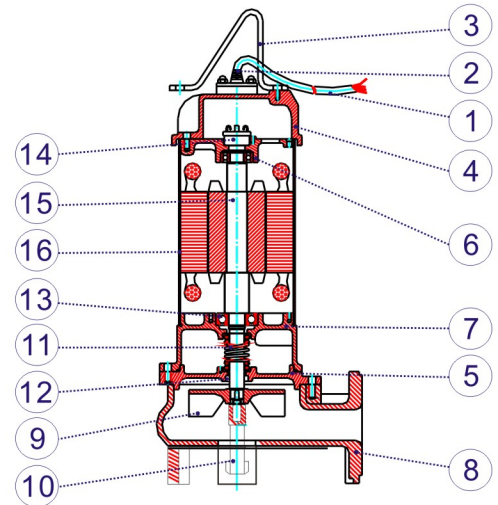
Specification & Dimension



C.W.L.: Continuously Running Water Level.
L.W.L.: Lowest Running Water Level.

NOTE: Forbid running submersible pumps continuously under L.W.L.

Parts & Material List



NO	Part	Std. Material	NO	Part	Std. Material
1	Cable	UL_STOW	9	Impeller	FC200
2	Cable Hood	PVC	10	Agitator	SUS316
3	Handle	Nylon6/SS400	11	Mech. Seal	SIC/SIC
4	Motor Cover	Nylon66/ FC200	12	Oil Seal	VITON
5	Seal Housing	FC200	13	Bearing	(NTN brand)
6	Bracket	FC200	14	Protector	(T.I.brand)
7	Oil Chamber	FC200	15	Shaft	SUS410
8	Pump Casing	FC200	16	Motor Housing	SUS304

Model	Power		Disch. Inch	Phase ϕ	Rated		Max.		Dimensions (mm)						Cable M	Net Weight KG	Solid Passage MM	
	KW	HP			Head M	Capacity LPM	Head M	Cap. LPM	L	L1	W	H	H1	H2				H3
EFD-05(A)(T)	0.37	0.5	2"	1,3	4~5	180~150	8.5	300	222	115	145	410	297	113	133	5	13	35
EFD-10(A)(T)	0.75	1	2"	1,3	6~8	270~220	13.0	400	222	115	149	464	340	113	133	5	18	35
EFD-20(A)(T)	1.5	2	2"(3")	1,3	8~10	420~340	16.0	650	387	234	208	548	400	122	153	5	33	35
EFD-30T	2.2	3	2"(3")	3	10~12	430~350	18.0	700	387	234	208	568	420	122	153	5	35	35
EFD-50T	3.7	5	3"(4")	3	12~13	600~540	19.5	1150	459	256	227	638	471	160	220	5	55	50
EFD-75T	5.5	7.5	3"(4")	3	15~18	800~640	26	1300	459	256	227	678	511	160	220	5	61	50

Remarks: ●(A): Equipped with automatic float switch. ●(T): Three phase motor. ●10M cable are available for 0.5~7.5HP models per special request.



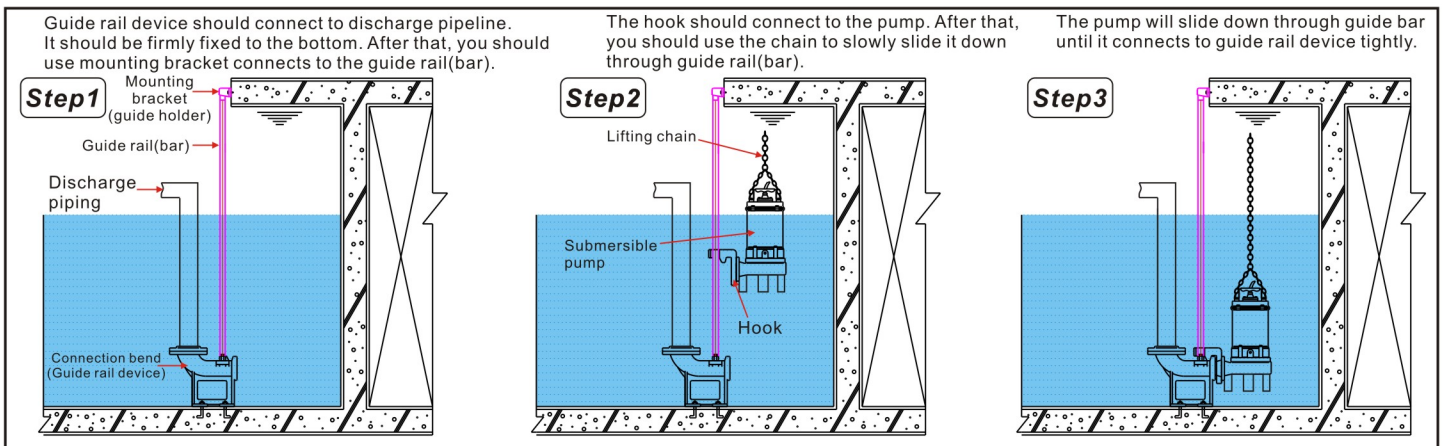
Product Features

- Through simple and convenient installation, we can connect the pump onto guide rail device. Whenever the pump needs maintenance, it can be easily pulled out through guide bar to dismantle, repair or examine the pump. For safety purpose, The workers no longer need to go down the septic tank to do maintenance. It will greatly reduce down time.

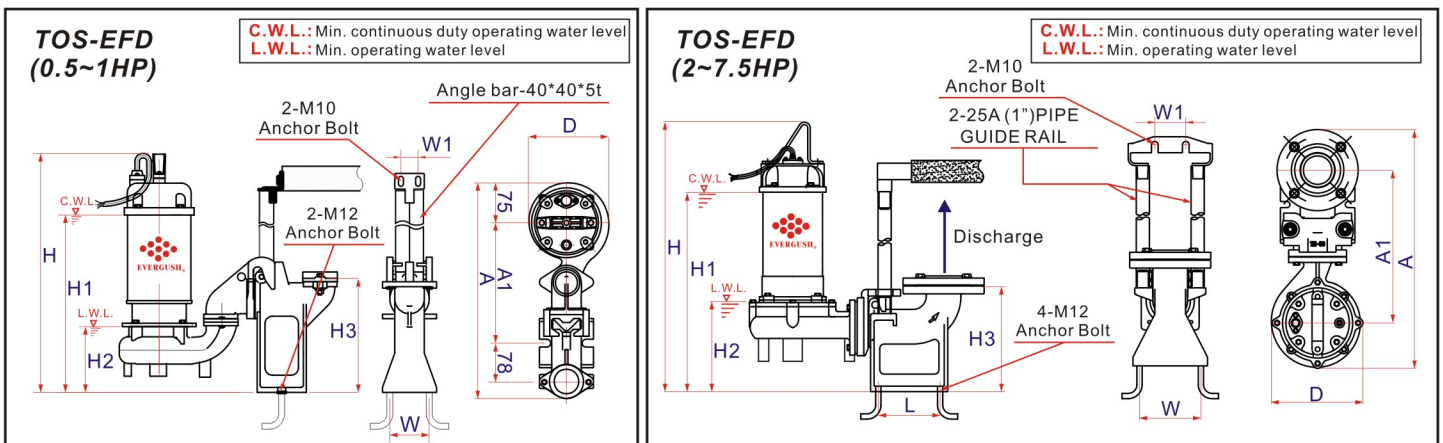
Applications

- Animal husbandry and dairying septic tank waste water drainage; sewers, apartments, buildings and basements sewage treatment equipment drainage; Dye house, fur and leather industry and steel industry waste water drainage; other waste water treatments drainage.

Installation Diagram



Dimension



Model	Power	Disch. Inch	Dimensions(mm)										Weight(KG)	
	HP		A	A1	D	H	H1	H2	H3	L	W	W I	TOS Device	TOS & PUMP
TOS-EFD-05(T)	0.5	2"	425	240	150	422	307	150	225	---	80	35	6	19
TOS-EFD-10(T)	1	2"	425	240	150	502	377	150	225	---	80	35	6	24
TOS-EFD-20(T)	2	3"	545	350	210	650	480	210	243	110	140	70	16	49
TOS-EFD-30T	3	3"	545	350	210	670	500	210	243	110	140	70	16	51
TOS-EFD-50T	5	4"	725	515	230	745	580	270	310	160	150	70	24	79
TOS-EFD-75T	7.5	4"	725	515	230	785	620	270	310	160	150	70	24	85

Remarks: ● TOS means cast iron guide rail device. (Q.D.C:Quick Discharge Device) ● "T" means 3 phase motor.