



Features

- Non-clogging impeller minimizes abrasives wear and allows large solid passage.
- Dry motor with overload protector; Cable with an epoxy resin sealed water-proof cable hood; Use deep groove C3 bearing to extend life time.
- Superior abrasion resistant double mechanical seal to ensure best seal effect.
- Oil seal mounted outside of seal chamber stops solids gathering around seal faces.

Motor Spec.

- 2P dry or oil type motor.
- Insulation: F class.
- Protection: IP68.
- Frequency: 50HZ
- Voltage: 1 ϕ 220~240V(0.5~2HP)
3 ϕ 220~660V(all models)



EF Non-clogging Vortex Impeller

Applications

- Waste water drainage from all industries.
- Sewage drainage from hotels, restaurants, schools, malls, and public facilities.
- Fishery, animal husbandry, stock farm, piggery, fecal sewage tank in waste water treatment plant.
- Drainage of waste water containing fibrous additives from leather factory, dyeing factory and food processing factory.



Optional

Sub. pump with guide rail device is available.



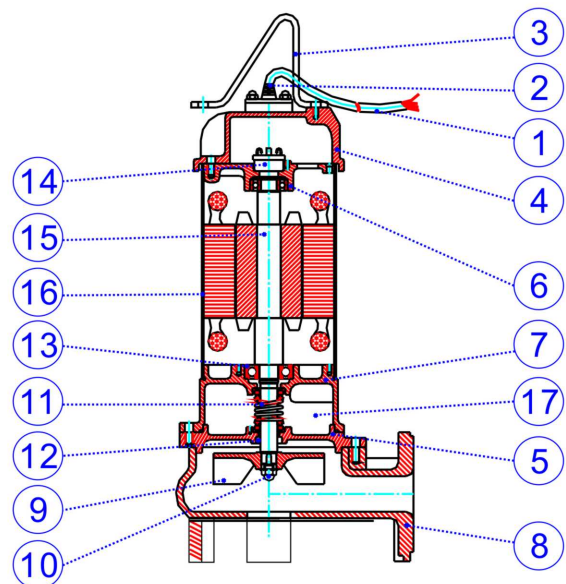
Optional

Single phase sub. pump equipped with auto float switch. (0.5HP~2HP)

Parts and Materials List

No.	Parts	Std. Material EF Model
1	Cable	VCT
2	Cable hood	PVC
3	Handle	Nylon6 or SS400
4	Motor cover	Nylon66 or FC200
5	Seal housing	FC200
6	Bracket	FC200
7	Oil chamber	FC200
8	Pump casing	FC200
9	Impeller	FC200
10	Nut	SUS304
11	Mech. seal	CA/CE
12	Oil seal	NBR
13	Bearing	(NTN brand)
14	Overload protector	(T.I.brand)
15	Shaft	SUS410
16	Motor housing	SUS304
17	Lubricant oil	(Turbine Oil ISO VG46)

• Mech.seal (sic/sic)material is optional upon request.

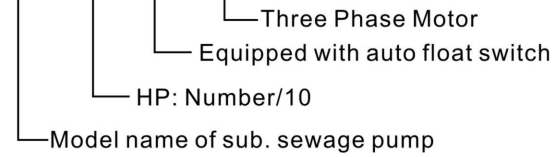


Operating Conditions

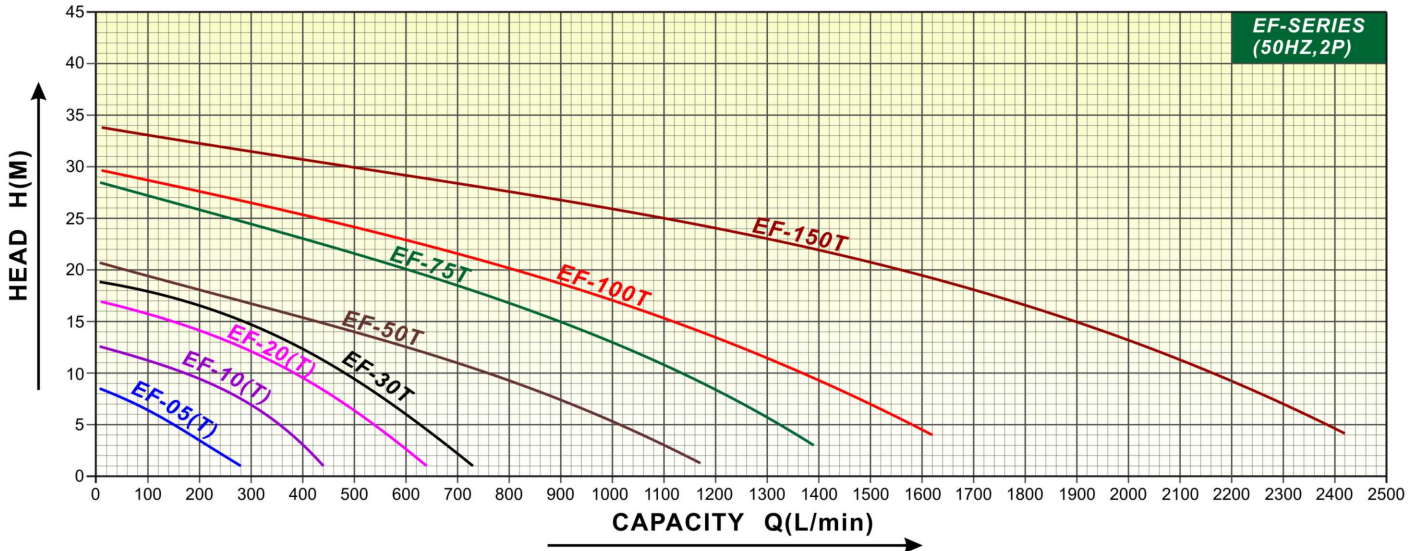
- Water temperature: 0~40°C.
- Ambient temperature: 0~40°C.
- Solid passage: 35~50MM.
- Operating water depth: 8~10M.
- No use in sea water.
- No 24hrs continuously running.

Model Code

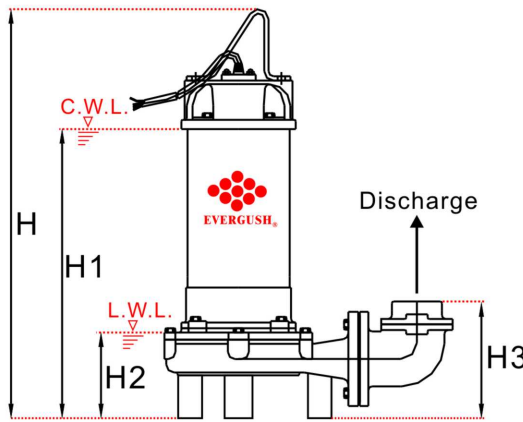
EF-20(A)(T)



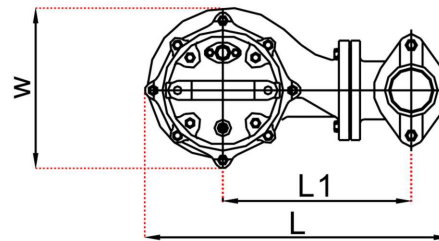
Performance Curves



Specification & Dimensions



NOTE: Forbid running submersible pumps continuously under L.W.L.



C.W.L.: Continuously Running Water Level.
L.W.L.: Lowest Running Water Level.

Model	Type	Power		Disch. Inch	Phase φ	Rated		Max.		Dimensions (mm)							Cable M	Net Weight KG	Solid Passage MM
		KW	HP			Head M	Capacity LPM	Head M	Cap. LPM	L	L1	W	H	H1	H2	H3			
EF-05(A)(T)	Direct	0.37	0.5	2"	1,3	4~5	180~150	8.5	300	222	115	145	410	297	113	133	5	13	35
EF-10(A)(T)	Direct	0.75	1	2"	1,3	8~9	260~220	12.5	460	222	115	149	464	340	113	133	5	18	35
EF-20(A)(T)	Direct	1.5	2	2"(3")	1,3	9~10	420~380	17	650	387	234	208	548	400	122	153	5	33	35
	Elbow									316	163	208	548	400	122	153	5	30	35
EF-30T	Direct	2.2	3	2"(3")	3	10~11	480~450	19	750	387	234	208	568	420	122	153	5	35	35
	Elbow									316	163	208	568	420	122	153	5	32	35
EF-50T	Elbow	3.7	5	3"(4")	3	11~14	700~500	21	1200	459	256	227	638	471	160	220	5	55	50
EF-75T	Elbow	5.5	7.5	3"(4")	3	13~15	1000~900	28.5	1450	459	256	227	678	511	160	220	5	61	50
EF-100T	Elbow	7.5	10	4"	3	15~17	1120~1000	30	1700	550	280	310	680	511	210	250	5	87	50
EF-150T	Elbow	11	15	4"	3	15~18	1900~1700	34	2500	560	310	310	730	580	250	310	10	110	50

Remarks: ●(A): Equipped with automatic float switch. ●(T): Three phase motor. ●10M cable are available for 0.5~10HP models per special request.