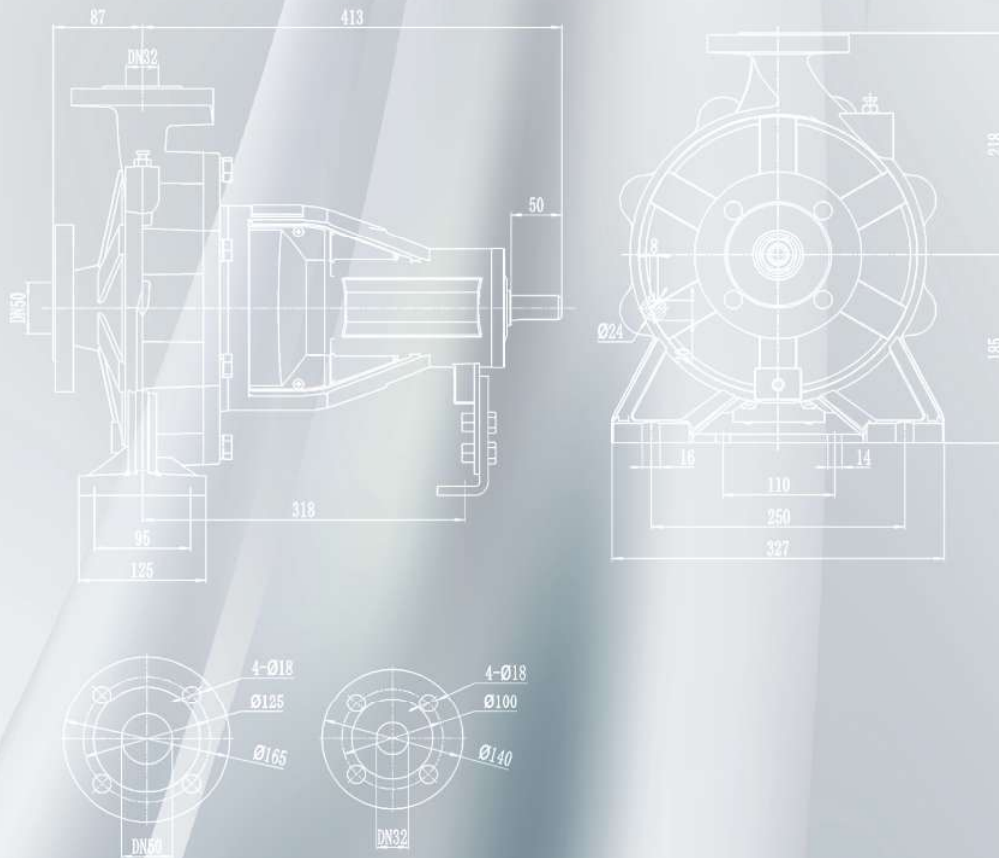


2025



DESCRIPTION

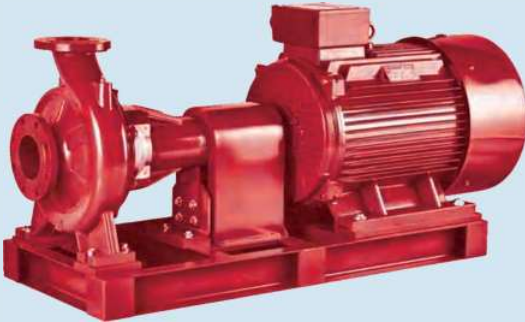
- ◆ Complete range with a full series of end suction pumps
- ◆ Original design by MARO
- ◆ Outstanding reliability for operation in any application
- ◆ YE3 high efficient motor, with protection IP55 class F
- ◆ Pump case with anti-corrosive coating
- ◆ Customize casting logo on the bearing house as request
- ◆ Quality NSK bearing, wear resistance mechanical seal

APPLICATIONS

The impressive range end-suction pumps is compatible with an array of application areas, including water intake, heating, industrial pressure boosting, industrial liquid transfer, air-conditioning, district cooling, irrigation, fire fighting and many more.

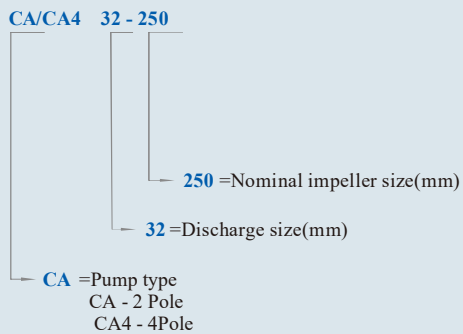


CA/CA4



MODEL CODE

For example



USING LIMITS

- ◆ Liquid temperature between -10°C and $+120^{\circ}\text{C}$
- ◆ Ambient temperature between -10°C and $+50^{\circ}\text{C}$
- ◆ Max. working pressure **16 bar**
- ◆ Continuous service S1

TECHNICAL SHEET

Model	CA/CA4	
Capacity	0-1000	m ³ /h
Head	0-164	m
DN	32-150	mm
Speed	2900	rpm
T max	120	°C
Power	1.5-315	kW
Casing	Grey cast iron	
Impeller	Cast iron/AISI 304/Brass	
Shaft	45# steel/AISI 304	
Shaft seal	Mechanical Seal	
Bearing	Grease lubrication rolling bearing	

CA/CA4

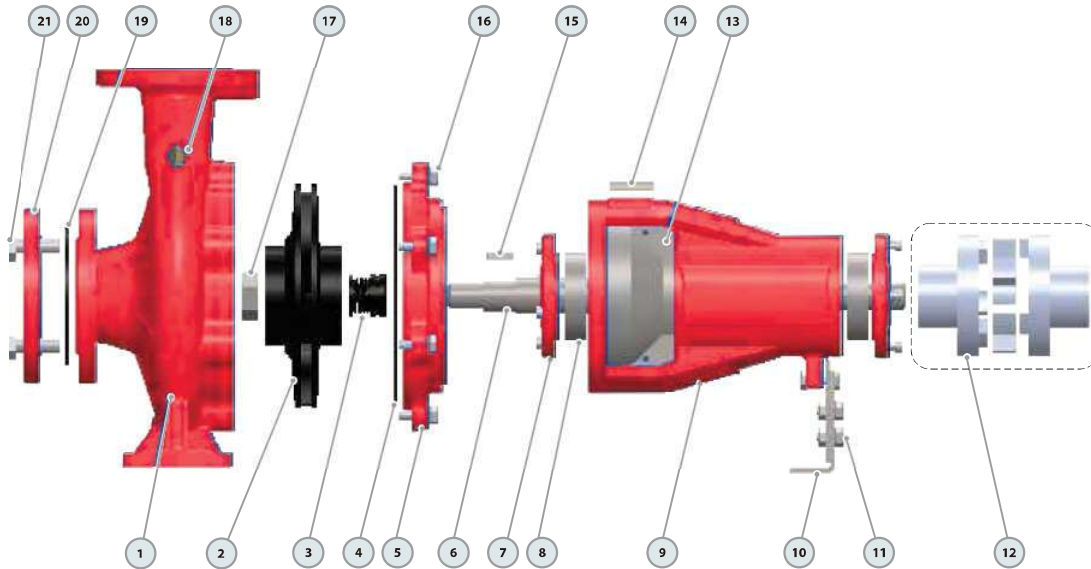
End suction centrifugal pump

TECHNICAL DATA

50 Hz n=2900 1/min

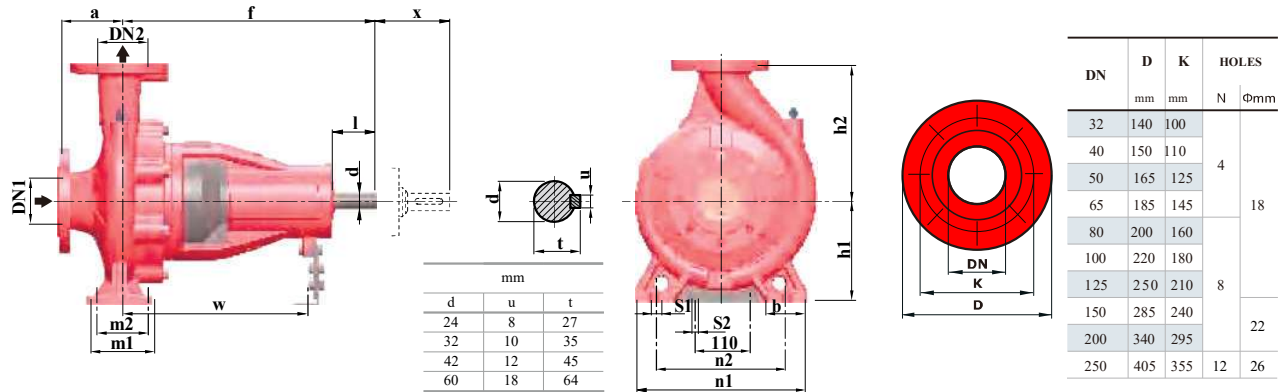
MODEL	DN mm	Impfr Φ mm	Power kw hp		Q-DELIVERY																		
					us	26	40	66	79	106	119	159	185	211	238	317	370	396	476	529	608	793	925
					gpm	100	150	250	300	400	450	600	700	800	900	1200	1400	1500	1800	2000	2300	3000	3500
					m ³ /h	6	9	15	18	24	27	36	42	48	54	72	84	90	108	120	138	180	210
					H-Head																		
CA 32-160	50x32	142	1.5	2	25.4	23.7	22.5	18.5	15.8	-	-	-	-	-	-	-	-	-	-	-			
CA 32-160	50x32	158	2.2	3	31	29.6	28.5	24.5	22	15	-	-	-	-	-	-	-	-	-	-			
CA 32-160	50x32	168	3	4	35	34.3	32.5	28	25.5	19	15	-	-	-	-	-	-	-	-	-			
CA 32-200	50x32	190	3	4	44.2	42	39.8	35.2	32.2	24.6	19.8	-	-	-	-	-	-	-	-	-			
CA 32-200	50x32	204	4	5.5	54.5	52	50	45.5	42.3	35	30.3	-	-	-	-	-	-	-	-	-			
CA 32-250	50x32	208	5.5	7.5	60	59.5	59	55	50.2	34.5	-	-	-	-	-	-	-	-	-	-			
CA 32-250	50x32	230	7.5	10	69.5	69	68.5	66	63	53	-	-	-	-	-	-	-	-	-	-			
CA 32-250	50x32	237	9.2	12.5	75	75	74.5	72	69	59	-	-	-	-	-	-	-	-	-	-			
CA 32-250	50x32	250	11	15	90	89.5	88	82	78	66	-	-	-	-	-	-	-	-	-	-			
CA 32-250	50x32	258	15	20	97	96.5	96	90	86	73	-	-	-	-	-	-	-	-	-	-			
CA 40-160	65x40	160	3	4	31.8	-	-	29.5	27.5	26.3	21.5	17.5	-	-	-	-	-	-	-	-			
CA 40-160	65x40	170	4	5.5	38	-	-	36	34	33	28.5	25	20.1	-	-	-	-	-	-	-			
CA 40-200	65x40	195	5.5	7.5	46	-	-	43.8	41.3	40.1	35	30	-	-	-	-	-	-	-	-			
CA 40-200	65x40	209	7.5	10	57	-	-	53.6	51.5	50	45	41	36.5	-	-	-	-	-	-	-			
CA 40-250	65x40	224	9.2	12.5	64	-	-	59	56.5	55	49.5	45	39.8	-	-	-	-	-	-	-			
CA 40-250	65x40	230	11	15	72	-	-	67.5	65	63.5	57.5	52.2	47	-	-	-	-	-	-	-			
CA 40-250	65x40	250	15	20	84.5	-	-	79.3	77.3	75.2	70	66	61	-	-	-	-	-	-	-			
CA 40-250	65x40	258	18.5	25	90	-	-	85.5	82.8	80.7	75.8	70.5	66.5	-	-	-	-	-	-	-			
CA 40-315	65x40	260	18.5	25	95	-	-	95	93	92.5	87	81	-	-	-	-	-	-	-	-			
CA 40-315	65x40	275	22	30	106	-	-	106	104	103.5	98	92	-	-	-	-	-	-	-	-			
CA 40-315	65x40	290	30	40	120	-	-	120	118	117	115	112	-	-	-	-	-	-	-	-			
CA 40-315	65x40	322	37	50	144	-	-	144	143	142	141	140	132	-	-	-	-	-	-	-			
CA 40-315	65x40	340	45	60	160	-	-	160	160	159	158	157	152	-	-	-	-	-	-	-			
CA 50-125	65x50	123	2.2	3	17	-	-	-	-	-	15.4	14	12.8	11.5	6.5	-	-	-	-	-			
CA 50-125	65x50	130	3	4	20	-	-	-	-	-	18.8	18	17	15.6	11	-	-	-	-	-			
CA 50-125	65x50	139	4	5.5	24	-	-	-	-	-	23.1	23	21.5	20.3	15.8	11.8	-	-	-	-			
CA 50-160	65x50	158	5.5	7.5	32	-	-	-	-	-	30.6	30	28	26.6	20.5	14.8	-	-	-	-			
CA 50-160	65x50	170	7.5	10	40	-	-	-	-	-	38	37	36	34.4	29	24	21	-	-	-			
CA 50-200	65x50	195	9.2	12.5	50.5	-	-	-	-	-	46.8	45	43	40.9	32.5	26.7	-	-	-	-			
CA 50-200	65x50	204	11	15	57.5	-	-	-	-	-	53.5	52	50	47.5	40	34	29	-	-	-			
CA 50-200	65x50	209	15	20	62	-	-	-	-	-	58	56.5	54.5	52	44.5	39	35.5	-	-	-			
CA 50-250	65x50	228	15	20	68.5	-	-	-	-	-	64	63	61.5	59	50	41	-	-	-	-			
CA 50-250	65x50	235	18.5	25	79	-	-	-	-	-	75.8	74.8	74	71.5	63.5	55.5	47	-	-	-			
CA 50-250	65x50	250	22	30	89.5	-	-	-	-	-	86	85.3	84	81.5	73.5	63.5	57	-	-	-			
CA 50-250	65x50	258	30	40	95.5	-	-	-	-	-	92	91.3	90	87.5	79.5	70	63	-	-	-			
CA 50-315	65x50	264	30	40	97	-	-	-	-	-	94	92	90.5	88	80	72	-	-	-	-			
CA 50-315	65x50	284	37	50	114	-	-	-	-	-	111	109	107.5	105	97	89	84	-	-	-			
CA 50-315	65x50	306	45	60	132	-	-	-	-	-	129	127	125.5	123	115	107	102	-	-	-			
CA 50-315	65x50	322	55	75	146	-	-	-	-	-	143	141	139.5	137	129	121	116	-	-	-			
CA 50-315	65x50	340	75	100	164	-	-	-	-	-	161	159	157.5	155	147	139	134	-	-	-			
CA 65-125	80x65	122	4	5.5	19	-	-	-	-	-	-	-	17.3	16.8	14.5	13	11.8	-	-	-			
CA 65-125	80x65	132	5.5	7.5	23	-	-	-	-	-	-	-	21.3	20.9	19	17.5	16.7	13.7	-	-			
CA 65-125	80x65	142	7.5	10	27	-	-	-	-	-	-	-	26	25.6	24.5	23	22.5	20	18	-			
CA 65-160	80x65	155	9.2	12.5	33	-	-	-	-	-	-	-	31.5	30	28	27.1	24	21.5	-	-			
CA 65-160	80x65	164	11	15	36	-	-	-	-	-	-	-	34.5	33	31.5	30.8	28	25.5	-	-			
CA 65-160	80x65	183	15	20	42	-	-	-	-	-	-	-	41	40	38.5	37.8	35	33	29.5	-			
CA 65-200	80x65	190	15	20	45	-	-	-	-	-	-	-	45.5	43	41	40.2	36.5	34	-	-			
CA 65-200	80x65	198	18.5	25	52	-	-	-	-	-	-	-	52.3	51	49	48.2	44.5	42	-	-			
CA 65-200	80x65	212	22	30	59	-	-	-	-	-	-	-	59.5	58	56	55	52	49.5	44.5	-			
CA 65-250	80x65	225	22	30	64.8	-	-	-	-	-	-	-	64.7	62	60	58.5	53	50	-	-			
CA 65-250	80x65	244	30	40	80	-	-	-	-	-	-	-	79.8	77.5	75.5	74.5	70	66	58	-			
CA 65-250	80x65	258	37	50	92	-	-	-	-	-	-	-	90.5	88.5	87	85	80.5	78	68	-			
CA 65-315	80x65	262	45	60	102	-	-	-	-	-	-	-	99.2	97	95	94.5	92.4	90	83	-			
CA 65-315	80x65	290	55	75	122	-	-	-	-	-	-	-	119.2	117.4	115.7	114.5	112.5	110	103	76			
CA 65-315	80x65	317	75	100	141	-	-	-	-	-	-	-	139.8	137.3	135.6	134.5	132.5	130	122	96			
CA 65-315	80x65	328	90	125	151	-	-	-	-	-	-	-	149.8	147.3	145.6	144.5	142.5	140	132	106			
CA 80-125	100x80	122	4	5.5	17	-	-	-	-	-	-	-	16.5	15.9	14.3	13.5	11.6	10	7.5	-			
CA 80-125	100x80	132	5.5	7.5	21	-	-	-	-	-	-	-	20.5	20	19	18	16.5	15	12.5	9.5			
CA 80-125	100x80	142	7.5	10	26	-	-	-	-	-	-	-	25	25	24.5	23.8	22.5	21.5	19.5	16.5			

MATERIAL DESCRIPTION



No.	Description	Material	No.	Description	Material	No.	Description	Material
1	Pump Case	Cast iron	8	Bearing	Ball Bearing	15	Impeller Key	Iron
2	Impeller	SS304/Cast iron	9	Support Case	Cast iron	16	Connection Bolt	Steel
3	Mechanical Seal	SiC/Carbon/SS304	10	Support Foot	Iron	17	Impeller Nut	Galvanized Steel
4	O-ring	Rubber	11	Foot Bolt	Steel	18	Release Valve	Brass
5	Connection	Cast iron	12	Coupling(Optional)	Steel	19	Gasket	Rubber
6	Shaft	SS304/45# Steel	13	Case Cover	SS304	20	Counter Flange	Galvanized Cast iron
7	Bearing Cover	Cast iron	14	Nameplate	Aluminum	21	Flange Bolt	Steel

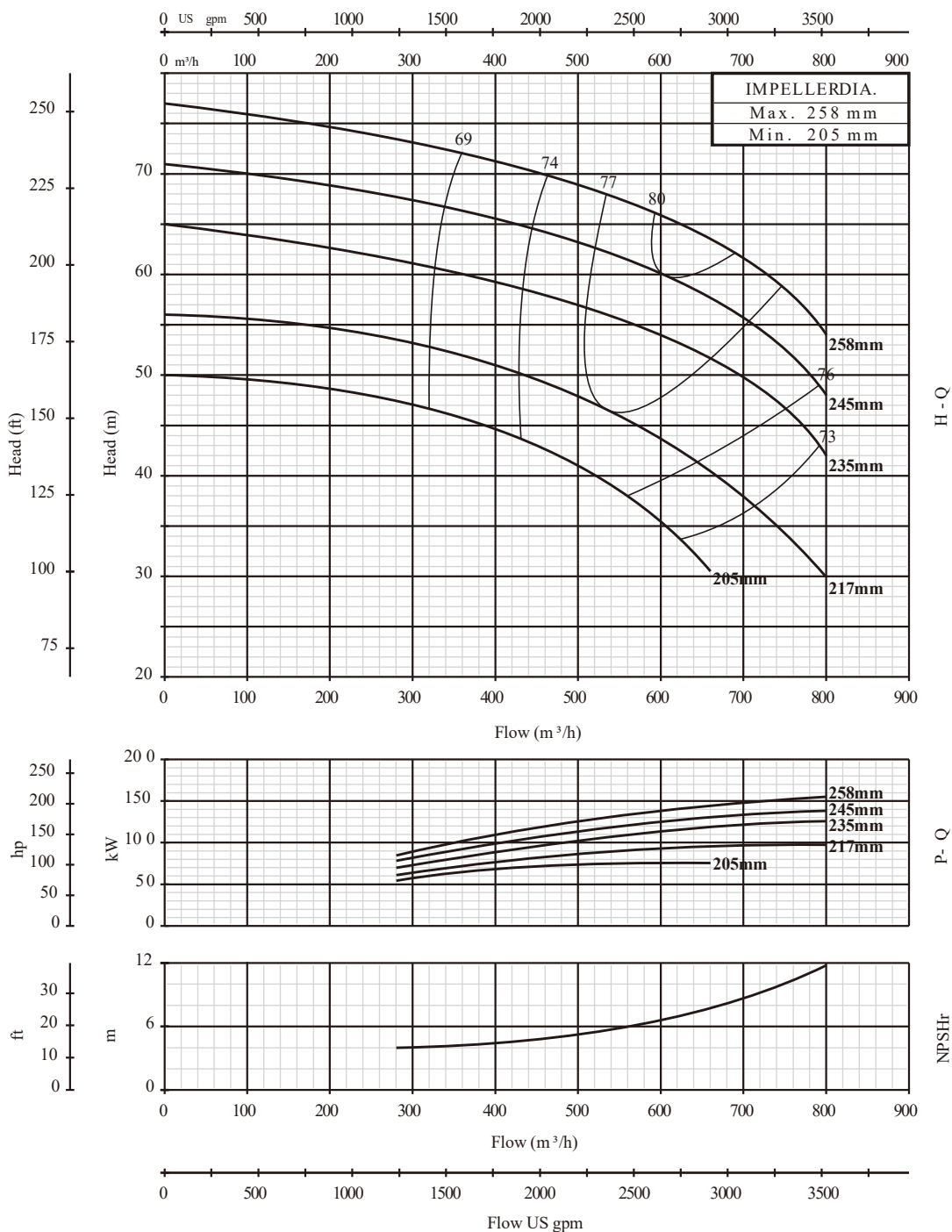
DIMENSIONS AND WEIGHT



MODEL	DIMENSIONS																	kg
	DN1	DN2	a	f	h1	h2	b	m1	m2	n1	n2	s1	s2	w	x	d	l	
32-160	50	32	80	360	132	160	55	95	70	240	190	14	14	260	100	24	50	31
32-200	50	32	80	360	160	180	55	95	70	240	190	14	14	260	100	24	50	35
32-250	50	32	80	360	160	180	55	95	70	240	190	14	14	260	100	24	50	35
40-160	65	40	80	360	132	160	50	100	70	240	190	14	14	260	100	24	50	35
40-200	65	40	100	360	160	180	55	100	70	265	212	14	14	260	100	24	50	38
40-250	65	40	100	360	180	225	65	125	95	320	250	14	14	260	100	24	50	58
40-315	65	40	125	500	200	160	65	125	95	345	280	14	14	370	140	32	80	82
50-125	65	50	100	360	132	180	50	100	70	240	190	14	14	260	100	24	50	30
50-160	65	50	100	360	160	200	55	100	70	265	212	14	14	260	100	24	50	35
50-200	65	50	100	360	160	225	50	100	70	265	212	14	14	260	100	24	50	45
50-250	65	50	100	360	180	180	65	125	95	320	250	14	14	260	100	24	50	50
50-315	65	50	125	500	225	280	65	125	95	345	280	14	14	370	140	32	80	90
65-125	80	65	100	360	160	250	65	125	95	280	212	14	14	260	100	24	50	42
65-160	80	65	100	360	160	200	65	125	95	280	212	14	14	260	100	24	50	45
65-200	80	65	100	360	180	225	65	125	95	320	250	14	14	260	140	24	50	50
65-250	80	65	100	470	200	250	80	160	120	360	280	18	14	340	140	32	80	71
65-315	80	65	125	470	225	280	80	160	120	360	280	18	14	340	140	32	80	98
80-125	100	80	100	360	180	225	65	125	95	320	250	14	14	260	140	24	50	46
80-160	100	80	100	360	180	225	65	125	95	345	250	14	14	260	140	24	50	48
80-200	100	80	100	470	200	250	65	125	95	345	280	14	14	340	140	32	80	65
80-250	100	80	100	470	200	280	80	160	120	400	315	18	14	340	140	32	80	79
80-315	100	80	125	470	250	315	80	160	120	400	315	18	14	340	140	24	50	118
80-400	100	80	125	540	280	355	80	160	120	400	315	18	14	340	140	32	80	150
100-160	125	100	125	360	200	280	80	160	120	360	280	18	14	260	140	32	80	55
100-200	125	100	125	470	200	280	80	160	120	360	280	18	14	340	140	32	80	75
100-250	125	100	125	470	225	280	80	160	120	400	315	18	14	340	140	32	80	88
100-315	125	100	140	470	250	315	80	160	120	400	315	19	14	340	140	32	80	116
100-400	125	100	140	530	280	355	100	200	150	500	400	23	14	370	140	42	110	178
125-200	150	125	140	470	250	315	80	160	120	400	315	19	14	340	140	32	80	112
125-250	150	125	140	470	250	355	80	160	120	400	315	19	14	340	140	32	80	112
125-250H	150	125	140	530	250	355	80	160	120	400	315	19	14	370	140	42	110	140
125-315	150	125	140	530	280	355	100	200	150	500	400	23	14	370	140	42	110	152
125-400	150	125	140	530	315	400	100	200	150	500	400	23	14	370	140	42	110	200
150-200	200	150	160	470	280	400	100	200	150	550	450	23	14	370	140	32	80	166
150-250	200	150	160	530	280	400	100	200	150	550	450	23	14	370	140	42	110	180
150-315	200	150	160	530	280	400	100	200	150	550	450	23	14	370	140	42	110	186
150-400	200	150	160	530	315	450	100	200	150	550	450	23	14	370	140	42	110	228
200-250	250	200	180	530	355	475	100	200	150	550	450	23	14	370	200	42	110	230
200-315	250	200	180	530	355	450	100	200	150	550	450	23	14	370	200	42	110	234
200-400	250	200	180	770	400	500	110	300	250	710	600	28	14	525	250	60	140	363
250-315	300	250	250	530	400	500	110	300	250	710	600	28	14	525	250	42	110	316
250-400	300	250	250	770	400	560	110	300	250	710	600	28	14	525	250	60	140	400

150-200

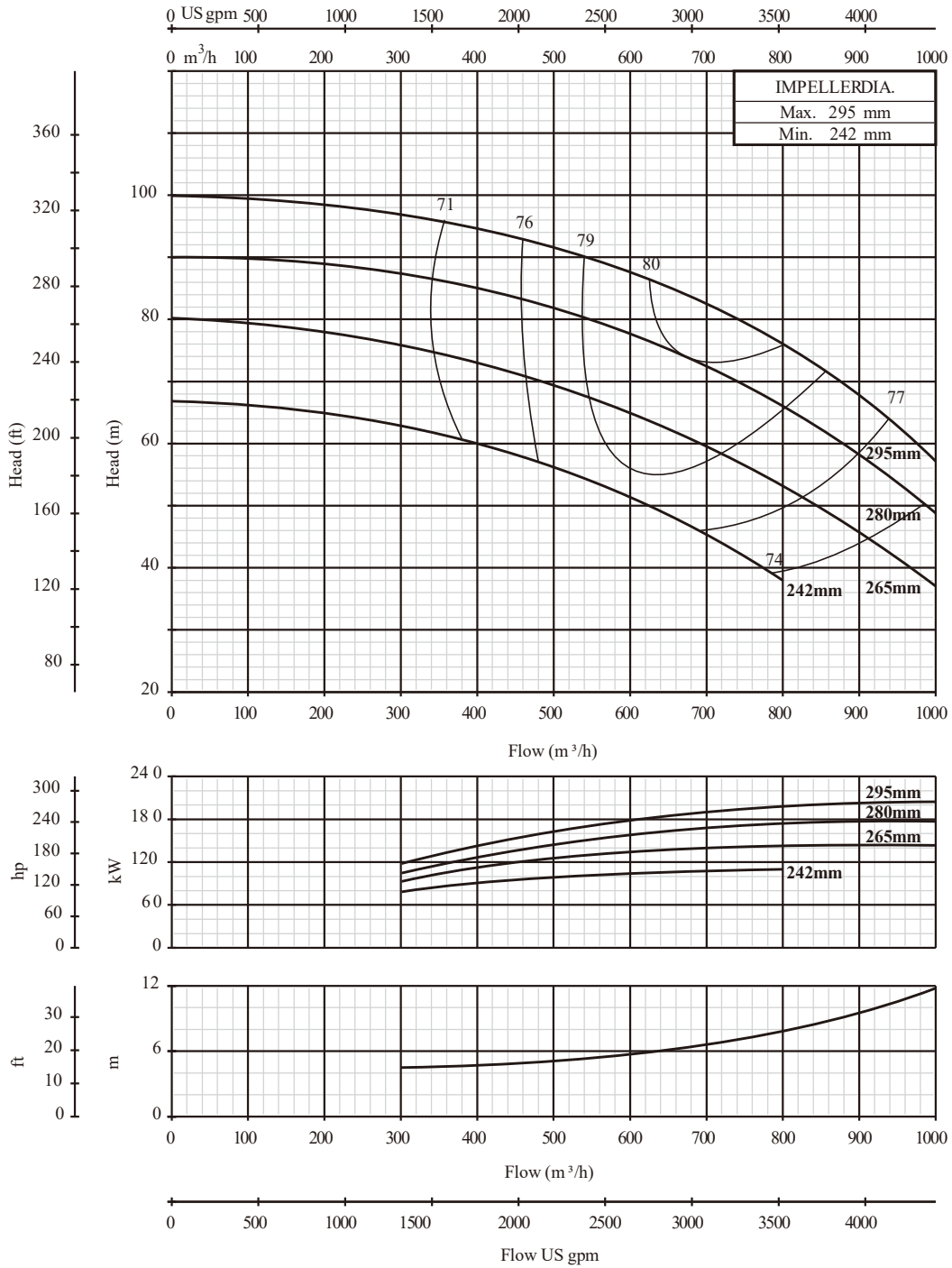
2900rpm



PERFORMANCE CURVE

150-250

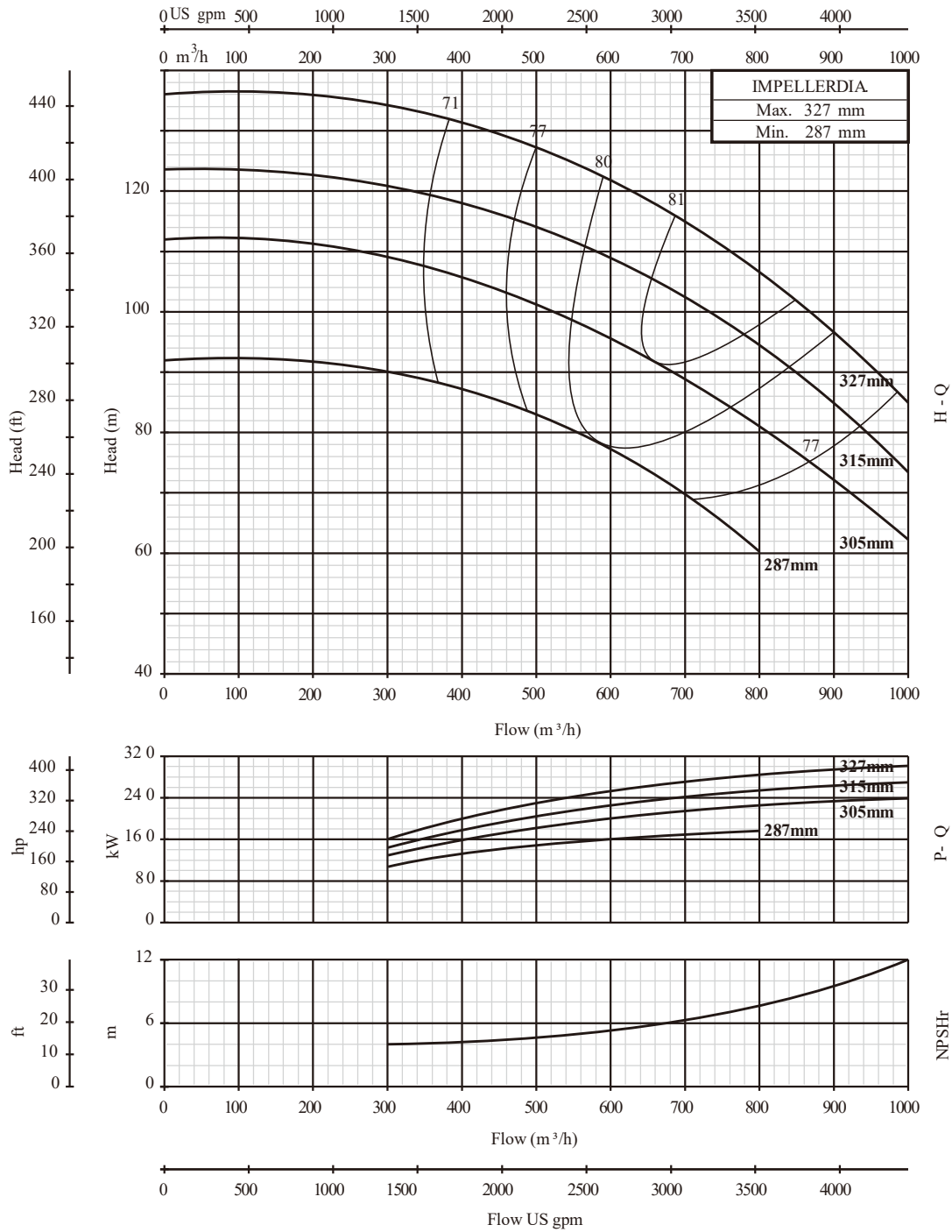
2900rpm



PERFORMANCE CURVE

150-315

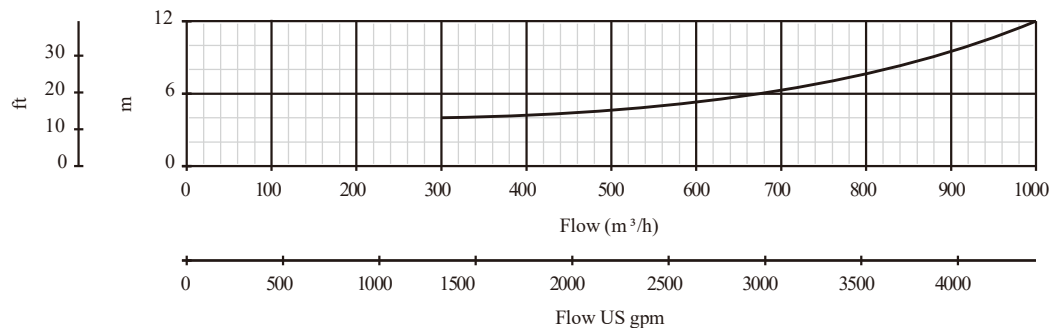
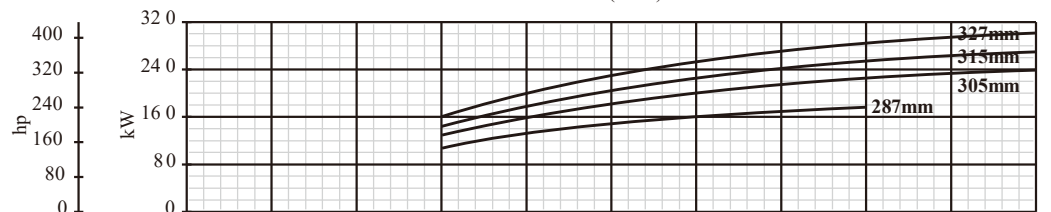
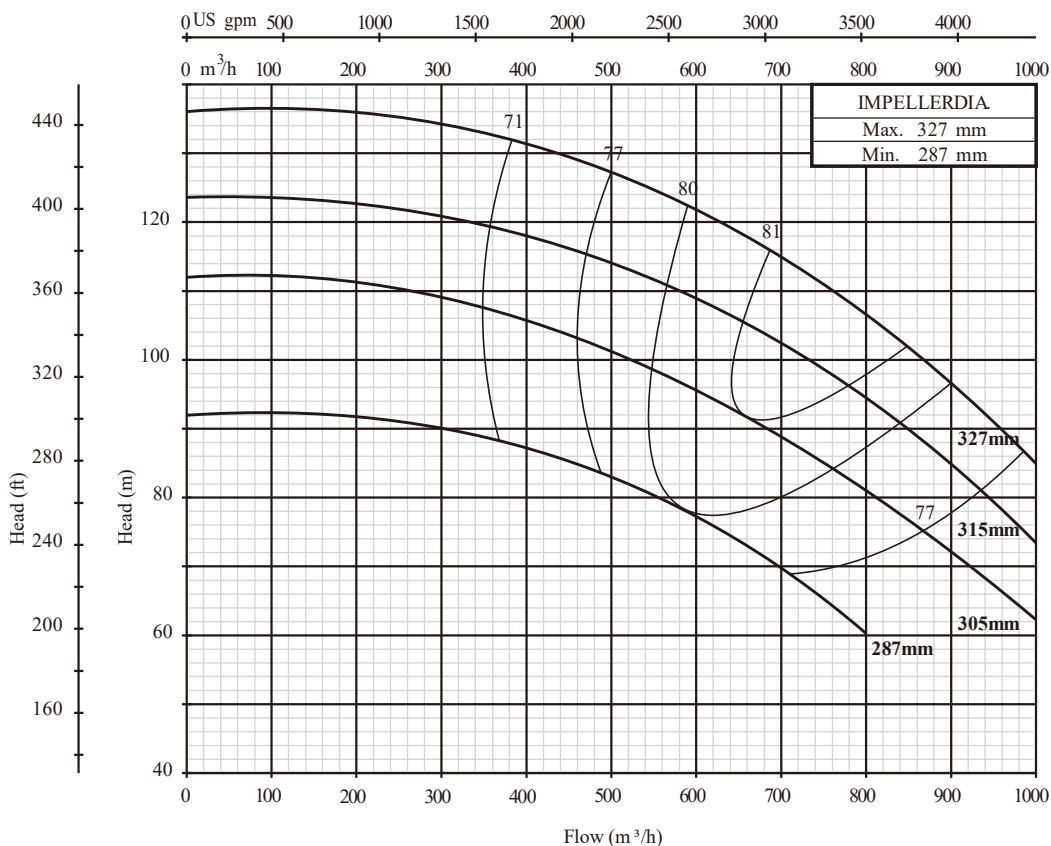
2900rpm



PERFORMANCE CURVE

150-315

2900rpm



PERFORMANCE CURVE