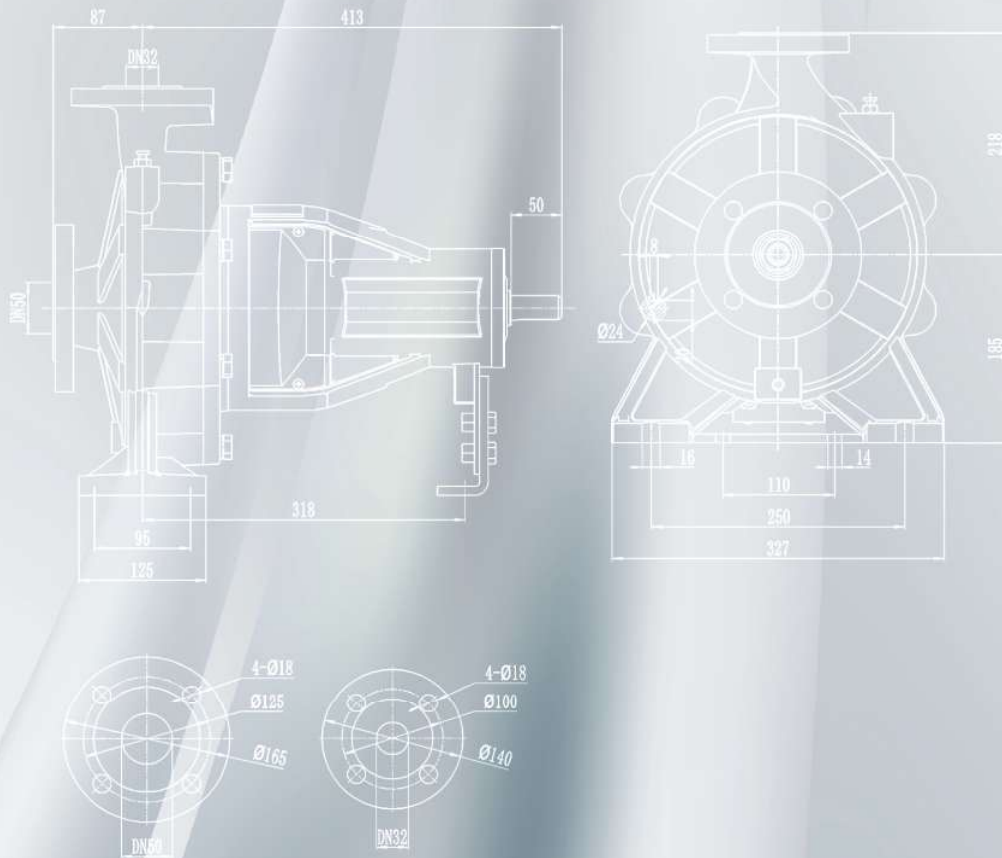


2025



DESCRIPTION

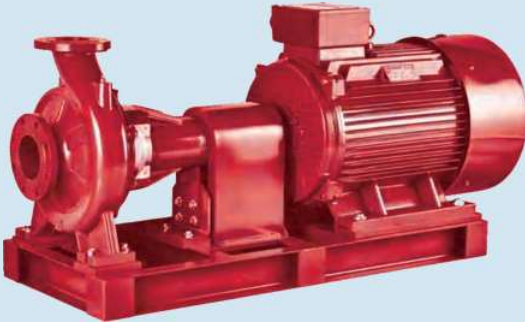
- ◆ Complete range with a full series of end suction pumps
- ◆ Original design by MARO
- ◆ Outstanding reliability for operation in any application
- ◆ YE3 high efficient motor, with protection IP55 class F
- ◆ Pump case with anti-corrosive coating
- ◆ Customize casting logo on the bearing house as request
- ◆ Quality NSK bearing, wear resistance mechanical seal

APPLICATIONS

The impressive range end-suction pumps is compatible with an array of application areas, including water intake, heating, industrial pressure boosting, industrial liquid transfer, air-conditioning, district cooling, irrigation, fire fighting and many more.

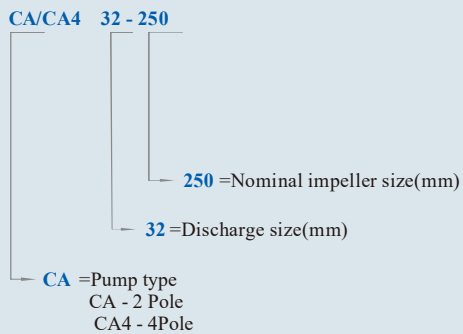


CA/CA4



MODEL CODE

For example



USING LIMITS

- ◆ Liquid temperature between -10°C and $+120^{\circ}\text{C}$
- ◆ Ambient temperature between -10°C and $+50^{\circ}\text{C}$
- ◆ Max. working pressure **16 bar**
- ◆ Continuous service S1

TECHNICAL SHEET

Model	CA/CA4	
Capacity	0-1000	m ³ /h
Head	0-164	m
DN	32-150	mm
Speed	2900	rpm
T max	120	°C
Power	1.5-315	kW
Casing	Grey cast iron	
Impeller	Cast iron/AISI 304/Brass	
Shaft	45# steel/AISI 304	
Shaft seal	Mechanical Seal	
Bearing	Grease lubrication rolling bearing	

CA/CA4

End suction centrifugal pump

TECHNICAL DATA

50 Hz n=2900 1/min

MODEL	DN mm	Impfr Φ mm	Power kw hp		Q-DELIVERY																		
					us	26	40	66	79	106	119	159	185	211	238	317	370	396	476	529	608	793	925
					gpm	100	150	250	300	400	450	600	700	800	900	1200	1400	1500	1800	2000	2300	3000	3500
					H-Head																		
					0	6	9	15	18	24	27	36	42	48	54	72	84	90	108	120	138	180	210
CA 32-160	50x32	142	1.5	2	25.4	23.7	22.5	18.5	15.8	-	-	-	-	-	-	-	-	-	-	-	-	-	-
CA 32-160	50x32	158	2.2	3	31	29.6	28.5	24.5	22	15	-	-	-	-	-	-	-	-	-	-	-	-	-
CA 32-160	50x32	168	3	4	35	34.3	32.5	28	25.5	19	15	-	-	-	-	-	-	-	-	-	-	-	-
CA 32-200	50x32	190	3	4	44.2	42	39.8	35.2	32.2	24.6	19.8	-	-	-	-	-	-	-	-	-	-	-	-
CA 32-200	50x32	204	4	5.5	54.5	52	50	45.5	42.3	35	30.3	-	-	-	-	-	-	-	-	-	-	-	-
CA 32-250	50x32	208	5.5	7.5	60	59.5	59	55	50.2	34.5	-	-	-	-	-	-	-	-	-	-	-	-	-
CA 32-250	50x32	230	7.5	10	69.5	69	68.5	66	63	53	-	-	-	-	-	-	-	-	-	-	-	-	-
CA 32-250	50x32	237	9.2	12.5	75	75	74.5	72	69	59	-	-	-	-	-	-	-	-	-	-	-	-	-
CA 32-250	50x32	250	11	15	90	89.5	88	82	78	66	-	-	-	-	-	-	-	-	-	-	-	-	-
CA 32-250	50x32	258	15	20	97	96.5	96	90	86	73	-	-	-	-	-	-	-	-	-	-	-	-	-
CA 40-160	65x40	160	3	4	31.8	-	-	-	29.5	27.5	26.3	21.5	17.5	-	-	-	-	-	-	-	-	-	-
CA 40-160	65x40	170	4	5.5	38	-	-	-	36	34	33	28.5	25	20.1	-	-	-	-	-	-	-	-	-
CA 40-200	65x40	195	5.5	7.5	46	-	-	-	43.8	41.3	40.1	35	30	-	-	-	-	-	-	-	-	-	-
CA 40-200	65x40	209	7.5	10	57	-	-	-	53.6	51.5	50	45	41	36.5	-	-	-	-	-	-	-	-	-
CA 40-250	65x40	224	9.2	12.5	64	-	-	-	59	56.5	55	49.5	45	39.8	-	-	-	-	-	-	-	-	-
CA 40-250	65x40	230	11	15	72	-	-	-	67.5	65	63.5	57.5	52.2	47	-	-	-	-	-	-	-	-	-
CA 40-250	65x40	250	15	20	84.5	-	-	-	79.3	77.3	75.2	70	66	61	-	-	-	-	-	-	-	-	-
CA 40-250	65x40	258	18.5	25	90	-	-	-	85.5	82.8	80.7	75.8	70.5	66.5	-	-	-	-	-	-	-	-	-
CA 40-315	65x40	260	18.5	25	95	-	-	-	95	93	92.5	87	81	-	-	-	-	-	-	-	-	-	-
CA 40-315	65x40	275	22	30	106	-	-	-	106	104	103.5	98	92	-	-	-	-	-	-	-	-	-	-
CA 40-315	65x40	290	30	40	120	-	-	-	120	118	117	115	112	-	-	-	-	-	-	-	-	-	-
CA 40-315	65x40	322	37	50	144	-	-	-	144	143	142	141	140	132	-	-	-	-	-	-	-	-	-
CA 40-315	65x40	340	45	60	160	-	-	-	160	160	159	158	157	152	-	-	-	-	-	-	-	-	-
CA 50-125	65x50	123	2.2	3	17	-	-	-	-	-	-	15.4	14	12.8	11.5	6.5	-	-	-	-	-	-	-
CA 50-125	65x50	130	3	4	20	-	-	-	-	-	-	18.8	18	17	15.6	11	-	-	-	-	-	-	-
CA 50-125	65x50	139	4	5.5	24	-	-	-	-	-	-	23.1	23	21.5	20.3	15.8	11.8	-	-	-	-	-	-
CA 50-160	65x50	158	5.5	7.5	32	-	-	-	-	-	-	30.6	30	28	26.6	20.5	14.8	-	-	-	-	-	-
CA 50-160	65x50	170	7.5	10	40	-	-	-	-	-	-	38	37	36	34.4	29	24	21	-	-	-	-	-
CA 50-200	65x50	195	9.2	12.5	50.5	-	-	-	-	-	-	46.8	45	43	40.9	32.5	26.7	-	-	-	-	-	-
CA 50-200	65x50	204	11	15	57.5	-	-	-	-	-	-	53.5	52	50	47.5	40	34	29	-	-	-	-	-
CA 50-200	65x50	209	15	20	62	-	-	-	-	-	-	58	56.5	54.5	52	44.5	39	35.5	-	-	-	-	-
CA 50-250	65x50	228	15	20	68.5	-	-	-	-	-	-	64	63	61.5	59	50	41	-	-	-	-	-	-
CA 50-250	65x50	235	18.5	25	79	-	-	-	-	-	-	75.8	74.8	74	71.5	63.5	55.5	47	-	-	-	-	-
CA 50-250	65x50	250	22	30	89.5	-	-	-	-	-	-	86	85.3	84	81.5	73.5	63.5	57	-	-	-	-	-
CA 50-250	65x50	258	30	40	95.5	-	-	-	-	-	-	92	91.3	90	87.5	79.5	70	63	-	-	-	-	-
CA 50-315	65x50	264	30	40	97	-	-	-	-	-	-	94	92	90.5	88	80	72	-	-	-	-	-	-
CA 50-315	65x50	284	37	50	114	-	-	-	-	-	-	111	109	107.5	105	97	89	84	-	-	-	-	-
CA 50-315	65x50	306	45	60	132	-	-	-	-	-	-	129	127	125.5	123	115	107	102	-	-	-	-	-
CA 50-315	65x50	322	55	75	146	-	-	-	-	-	-	143	141	139.5	137	129	121	116	-	-	-	-	-
CA 50-315	65x50	340	75	100	164	-	-	-	-	-	-	161	159	157.5	155	147	139	134	-	-	-	-	-
CA 65-125	80x65	122	4	5.5	19	-	-	-	-	-	-	-	-	17.3	16.8	14.5	13	11.8	-	-	-	-	-
CA 65-125	80x65	132	5.5	7.5	23	-	-	-	-	-	-	-	-	21.3	20.9	19	17.5	16.7	13.7	-	-	-	-
CA 65-125	80x65	142	7.5	10	27	-	-	-	-	-	-	-	-	26	25.6	24.5	23	22.5	20	18	-	-	-
CA 65-160	80x65	155	9.2	12.5	33	-	-	-	-	-	-	-	-	-	31.5	30	28	27.1	24	21.5	-	-	-
CA 65-160	80x65	164	11	15	36	-	-	-	-	-	-	-	-	-	34.5	33	31.5	30.8	28	25.5	-	-	-
CA 65-160	80x65	183	15	20	42	-	-	-	-	-	-	-	-	-	41	40	38.5	37.8	35	33	29.5	-	-
CA 65-200	80x65	190	15	20	45	-	-	-	-	-	-	-	-	-	45.5	43	41	40.2	36.5	34	-	-	-
CA 65-200	80x65	198	18.5	25	52	-	-	-	-	-	-	-	-	-	52.3	51	49	48.2	44.5	42	-	-	-
CA 65-200	80x65	212	22	30	59	-	-	-	-	-	-	-	-	-	59.5	58	56	55	52	49.5	44.5	-	-
CA 65-250	80x65	225	22	30	64.8	-	-	-	-	-	-	-	-	-	64.7	62	60	58.5	53	50	-	-	-
CA 65-250	80x65	244	30	40	80	-	-	-	-	-	-	-	-	-	79.8	77.5	75.5	74.5	70	66	58	-	-
CA 65-250	80x65	258	37	50	92	-	-	-	-	-	-	-	-	-	90.5	88.5	87	85	80.5	78	68	-	-
CA 65-315	80x65	262	45	60	102	-	-	-	-	-	-	-	-	-	99.2	97	95	94.5	92.4	90	83	-	-
CA 65-315	80x65	290	55	75	122	-	-	-	-	-	-	-	-	-	119.2	117.4	115.7	114.5	112.5	110	103	76	-
CA 65-315	80x65	317	75	100	141	-	-	-	-	-	-	-	-	-	139.8	137.3	135.6	134.5	132.5	130	122	96	65.5
CA 65-315	80x65	328	90	125	151	-	-	-	-	-	-	-	-	-	149.8	147.3	145.6	144.5	142.5	140	132	106	75.5
CA 80-125	100x80	122	4	5.5	17	-	-	-	-	-	-	-	-	-	16.5	15.9	14.3	13.5	11.6	10	7.5	-	-
CA 80-125	100x80	132	5.5	7.5	21	-	-	-	-	-	-	-	-	-	20.5	20	19	18	16.5	15	12.5	9.5	-
CA 80-125	100x80	142	7.5	10	26	-	-	-	-	-	-	-	-	-	25	25	24.5	23.8	22.5	21.5	19.5	16.5	-

TECHNICAL DATA

50 Hz n=2900 1/min

MODEL	DN mm	Implr Φ mm	Power kw hp		Q=DELIVERY																		
					H=Head																		
					0	264	396	529	634	793	881	925	969	1057	1233	1322	1586	1762	2203	2643	2907	3524	4405
l/min	1000	1500	2000	2400	3000	3333	3500	3667	4000	4667	5000	6000	6667	8333	10000	11000	13333	16667					
m ³ /h	60	90	120	144	180	200	210	220	240	280	300	360	400	500	600	660	800	1000					
CA 80-160	100x80	160	11	15	28	27	27.3	24.5	21.1	16	-	-	-	-	-	-	-	-	-				
CA 80-160	100x80	168	15	20	34	32.6	32.5	30.2	27	22.1	18.5	16.7	-	-	-	-	-	-	-				
CA 80-160	100x80	180	18.5	25	39	38.5	38	36.7	33.6	28.8	25.3	23.5	-	-	-	-	-	-	-				
CA 80-160	100x80	190	22	30	44	43.5	43	41.7	38.6	33.8	30.3	28.5	-	-	-	-	-	-	-				
CA 80-200	100x80	190	22	30	48	47.7	47.5	43.5	39.2	32.5	27.2	24.5	-	-	-	-	-	-	-				
CA 80-200	100x80	215	30	40	60	59.7	59.5	57	53.1	47	42.7	40.5	-	-	-	-	-	-	-				
CA 80-250	100x80	226	37	50	71.5	70.9	70.5	65.5	59.3	51	43.2	38.5	-	-	-	-	-	-	-				
CA 80-250	100x80	240	45	60	88	86.7	86	83.6	78.5	70.5	60	51	-	-	-	-	-	-	-				
CA 80-250	100x80	258	55	75	94.5	94.5	94.5	91.8	87	79.5	72.1	68.3	-	-	-	-	-	-	-				
CA 80-250	100x80	276	75	100	108.5	108.5	108.5	105.8	101	93.5	86.1	82.3	-	-	-	-	-	-	-				
CA 80-315	100x80	255	45	60	85	84	82.6	82	78	68.3	61	56	-	-	-	-	-	-	-				
CA 80-315	100x80	270	55	75	98	97	95.6	95	91	81.3	74	69	-	-	-	-	-	-	-				
CA 80-315	100x80	295	75	100	124	123	121.6	121	117	107.3	100	95	90	80.8	-	-	-	-	-				
CA 80-315	100x80	320	90	125	144	143	141.6	141	137	127.3	120	115	110	100.8	-	-	-	-	-				
CA 80-315	100x80	328	110	150	153	152	150.6	150	146	136.3	129	124	119	109.8	-	-	-	-	-				
CA 100-160	125x100	167	15	20	35	33.5	32.5	30	27.8	24.5	21.5	20	18.3	15	-	-	-	-	-				
CA 100-160	125x100	176	18.5	25	38.5	37.5	36.5	34.3	32.2	29	25.7	24	22	18	-	-	-	-	-				
CA 100-160	125x100	190	22	30	43	41	40	37.6	35.2	31.5	28.5	27	25.3	22	-	-	-	-	-				
CA 100-200	125x100	185	22	30	38.5	36.7	35.7	33.8	31.7	28.5	26.8	26	25	22.9	16.3	13	-	-	-				
CA 100-200	125x100	195	30	40	44.5	42.5	42	40.2	38.8	36.7	34.2	33	31.7	29	21.7	18	-	-	-				
CA 100-200	125x100	208	37	50	55	53	51	50.6	49.2	47	45	44	42.8	40.5	32.8	29	-	-	-				
CA 100-200	125x100	218	45	60	61	59	57	56.6	55.2	53	51	50	48.8	46.5	38.8	35	-	-	-				
CA 100-250	125x100	220	45	60	65	65	64	63	61	58	56	55	53.3	50	39	33.5	-	-	-				
CA 100-250	125x100	240	55	75	77	76	75.5	75	73.8	72	71.7	71.5	70.7	69	62.3	59	-	-	-				
CA 100-250	125x100	257	75	100	91	91	90.5	89.7	88	85.5	84	83.3	81.5	78	71.7	68.5	48	-	-				
CA 100-250	125x100	270	90	125	100	100	99.5	98.7	97	94.5	93	92.3	90.5	87	80.7	77.5	57	-	-				
CA 100-315	125x100	255	75	100	80	-	-	78.5	76.7	74	73	72.8	72.5	70.7	68	64	52	-	-				
CA 100-315	125x100	280	90	125	100	-	-	98.5	96.7	94	93	92.8	92.5	90.7	88	84	72	-	-				
CA 100-315	125x100	300	110	150	118	-	-	116.5	114.7	112	111	110.8	110.5	108.7	106	102	90	-	-				
CA 100-315	125x100	315	132	180	129	-	-	127.5	125.7	123	122	121.8	121.5	119.7	117	112	101	-	-				
CA 100-315	125x100	328	160	220	148	-	-	146.5	144.7	142	141	140.8	140.5	138.7	136	132	120	-	-				
CA 125-200	150x125	190	45	60	39.8	-	-	39.3	39.2	39	38.9	38.9	38.8	37.5	35	34	28.6	25	-				
CA 125-200	150x125	205	55	75	50.5	-	-	49.3	49.2	49	48.9	48.9	48.8	47.5	45	44	38.6	35	-				
CA 125-200	150x125	218	75	100	61.5	-	-	60.3	60.2	60	59.9	59.9	59.8	58.5	56	55	49.6	46	-				
CA 125-250	150x125	240	55	75	70	-	-	67	66	64	63	62	61	59.5	54	50.5	-	-	-				
CA 125-250	150x125	255	75	100	80	-	-	76.5	75.5	74	73	72	71.5	70	67	65	56	-	-				
CA 125-250	150x125	265	90	125	87	-	-	84	82.5	81	79.5	79	78	77	73.5	71.5	65	60	-				
CA 125-250	150x125	274	110	150	97	-	-	94	92.8	91	90	89.3	88.7	87.4	84	83.5	76	71	-				
CA 125-250H	150x125	220	90	125	63.2	-	-	62.4	62	61.6	61.2	61.2	61.2	60.8	60	59.6	57.2	55.2	47.2				
CA 125-250H	150x125	240	110	150	74	-	-	73.2	72.8	72.4	72	72	72	71.6	70.8	70.4	68	66	58				
CA 125-250H	150x125	260	132	180	84	-	-	83.2	82.8	82.4	82	82	82	81.6	80.8	80.4	78	76	68				
CA 125-250H	150x125	280	160	220	98	-	-	97.2	96.8	96.4	96	96	96	95.6	94.8	94.4	92	90	82				
CA 125-315	150x125	280	132	180	96	-	-	-	-	-	95.2	95.1	95	94.8	94	93.5	91.8	88.5	76				
CA 125-315	150x125	295	160	220	112	-	-	-	-	-	111.2	111.1	111	110.8	110	109.5	107.8	106	97.5				
CA 125-315	150x125	310	185	250	125	-	-	-	-	-	124.2	124.1	124	123.8	123	122.5	120.8	119	109				
CA 125-315	150x125	328	200	270	136	-	-	-	-	-	135.2	135.1	135	134.8	134	133.5	131.8	130	120				
CA 150-200	200x150	205	75	100	50	-	-	-	-	-	-	-	48	47.9	47.6	47.2	45.8	44.6	41				
CA 150-200	200x150	217	90	125	56	-	-	-	-	-	-	-	54	53.9	53.6	53.2	52.7	52.4	48				
CA 150-200	200x150	235	110	150	65.2	-	-	-	-	-	-	-	62	61.7	61.2	60.8	59.8	59.2	57.2				
CA 150-200	200x150	245	132	180	71	-	-	-	-	-	-	-	68.5	67.7	67.2	66.8	65.8	65.2	60				
CA 150-200	200x150	258	160	220	77	-	-	-	-	-	-	-	74	74	73.2	72.8	71.8	71.2	69.2				
CA 150-250	200x150	242	110	150	67	-	-	-	-	-	-	-	-	-	63	61.7	60	55.8	51.8				
CA 150-250	200x150	265	132	180	80.2	-	-	-	-	-	-	-	-	-	78	76.3	73.5	70	65				
CA 150-250	200x150	280	160	220	90	-	-	-	-	-	-	-	-	-	88	86	85	82	77.2				
CA 150-250	200x150	295	200	270	100	-	-	-	-	-	-	-	-	-	97	96	95	92	87.2				
CA 150-315	200x150	287	185	250	92	-	-	-	-	-	-	-	-	-	90	88.3	87.2	82.8	77.8				
CA 150-315	200x150	305	250	340	111	-	-	-	-	-	-	-	-	-	110	108	106	102	96				
CA 150-315	200x150	315	280	380	124	-	-	-	-	-	-	-	-	-	121	119	118	114	109				
CA 150-315	200x150	327	315	430	135	-	-	-	-	-	-	-	-	-	134	133	132	128	122				

TECHNICAL DATA

50 Hz n=1450 1/min

MODEL	DN mm	Implr Φ mm	Power		Q=DELIVERY																		
			kw	hp	0	106	119	132	159	185	198	220	264	317	370	396	423	476	617	661	881	1101	
					gpm	l/min	m ³ /h	H=Head															
					0	400	450	500	600	700	750	833	1000	1200	1400	1500	1600	1800	2333	2500	3333	4167	
					0	24	27	30	36	42	45	50	60	72	84	90	96	108	140	150	200	250	
CA4 65-160	80x65	155	1.1	1.5	8	7.5	7.4	7.3	7	6.6	6.3	5.8	4.8	3.4	-	-	-	-	-	-	-		
CA4 65-160	80x65	164	1.5	2	9	8.5	8.4	8.3	8	7.6	7.4	6.9	6	4.6	-	-	-	-	-	-	-		
CA4 65-160	80x65	183	2.2	3	10.3	9.9	9.9	9.8	9.5	9.2	9	8.6	7.8	6.5	5	-	-	-	-	-	-		
CA4 65-200	80x65	190	1.5	2	10	-	-	9.6	9.1	8.5	8.2	7.6	6.4	4.6	-	-	-	-	-	-	-		
CA4 65-200	80x65	198	2.2	3	12.4	-	-	12.2	11.8	11.3	11	10.4	9.3	7.6	-	-	-	-	-	-	-		
CA4 65-200	80x65	212	3	4	14.4	-	-	14.3	13.8	13.4	13.1	12.5	11.3	9.6	7.5	-	-	-	-	-	-		
CA4 65-250	80x65	225	3	4	15.4	-	-	14.6	13.9	13.1	12.6	11.6	9.7	6.7	-	-	-	-	-	-	-		
CA4 65-250	80x65	244	4	5.5	19	-	-	18.3	17.8	17.2	16.9	16.1	14.4	11.7	-	-	-	-	-	-	-		
CA4 65-250	80x65	258	5.5	7.5	22.3	-	-	21.3	20.9	20.3	19.9	19.2	17.7	15.1	12	-	-	-	-	-	-		
CA4 65-315	80x65	262	4	5.5	18.6	-	-	17.9	17.3	16.7	16.2	15.2	13.3	-	-	-	-	-	-	-	-		
CA4 65-315	80x65	280	5.5	7.5	22.1	-	-	-	21.2	20.6	20.2	19.2	17.3	14	-	-	-	-	-	-	-		
CA4 65-315	80x65	300	7.5	10	26.5	-	-	-	25.6	25.2	24.9	24.3	23	20.8	17.6	-	-	-	-	-	-		
CA4 65-315	80x65	322	11	15	34.8	-	-	-	34.2	33.9	33.7	33.2	32.1	30.2	27.4	25.6	23.7	18.7	-	-	-		
CA4 65-315	80x65	328	15	20	40	-	-	-	39.4	39.1	38.9	38.4	37.3	35.4	32.6	30.8	28.9	23.9	-	-	-		
CA4 80-160	100x80	168	1.5	2	7.5	-	-	-	-	-	7.1	6.9	6.4	5.5	4.6	4.1	3.5	-	-	-	-		
CA4 80-160	100x80	190	2.2	3	9	-	-	-	-	-	8.6	8.4	8	7.4	6.6	6.2	5.7	5	-	-	-		
CA4 80-200	100x80	190	3	4	11.8	-	-	-	-	-	11	10.7	10.1	9.2	8	7.3	6.6	-	-	-	-		
CA4 80-200	100x80	215	4	5.5	14.2	-	-	-	-	-	13.8	13.6	13.3	12.4	11.3	10.7	10	9	-	-	-		
CA4 80-250	100x80	226	4	5.5	17	-	-	-	-	-	16	15.6	14.8	13.2	11.4	10.2	9	-	-	-	-		
CA4 80-250	100x80	240	5.5	7.5	20.5	-	-	-	-	-	19.5	19.1	18.4	17.2	15.5	14.5	13.5	11.1	-	-	-		
CA4 80-250	100x80	258	7.5	10	24	-	-	-	-	-	23.5	23.2	22.5	21.3	19.9	19	18.1	16	-	-	-		
CA4 80-250	100x80	276	11	15	28.2	-	-	-	-	-	27.5	27.2	26.5	25.3	23.9	23	22.1	20	15	-	-		
CA4 80-315	100x80	255	5.5	7.5	19.7	-	-	-	-	-	19.1	18.8	18.1	16.8	15	13.9	12.8	10.1	-	-	-		
CA4 80-315	100x80	270	7.5	10	24.6	-	-	-	-	-	23.9	23.6	23	21.9	20.4	19.5	18.6	16.3	-	-	-		
CA4 80-315	100x80	290	11	15	29.9	-	-	-	-	-	29.4	29.2	28.8	28.1	27	26.3	25.5	23.6	16.5	13.5	-		
CA4 80-315	100x80	328	15	20	36.8	-	-	-	-	-	36.4	36.1	35.6	34.7	33.6	33	32.4	30.9	25.3	23	-		
CA4 80-400	100x80	335	18.5	25	40.3	-	-	-	-	-	39.7	39.5	39.1	38.4	37.3	36.6	35.9	34.1	27.3	24.5	-		
CA4 80-400	100x80	355	22	30	45.1	-	-	-	-	-	44.6	44.5	44.2	43.6	42.6	42	41.4	39.8	33.4	30.7	-		
CA4 80-400	100x80	386	30	40	55.1	-	-	-	-	-	54.7	54.6	54.4	54	53.3	52.8	52.2	50.9	45.4	43.2	-		
CA4 80-400	100x80	396	37	50	59	-	-	-	-	-	58.7	58.6	58.4	58	57.3	56.8	56.2	54.9	49.4	47.2	37.5		
CA4 100-160	125x100	140	2.2	3	5.9	-	-	-	-	-	5.8	5.7	5.5	5.3	5	4.9	4.6	4.3	-	-	-		
CA4 100-160	125x100	165	3	4	8.2	-	-	-	-	-	8.1	8	7.9	7.6	7.3	7.2	6.9	6.5	5.1	-	-		
CA4 100-160	125x100	190	4	5.5	11.5	-	-	-	-	-	11.5	11.4	11.2	10.9	10.6	10.5	10.2	9.8	8.4	7.8	-		
CA4 100-200	125x100	185	4	5.5	11.8	-	-	-	-	-	11.7	11.6	11.4	11	10.5	10.3	9.7	9.1	6.8	5.9	-		
CA4 100-200	125x100	195	5.5	7.5	13.3	-	-	-	-	-	13.2	13.2	13	12.7	12.4	12.3	12	11.5	9.6	8.8	5.7		
CA4 100-200	125x100	210	5.5	7.5	14.8	-	-	-	-	-	14.7	14.7	14.5	14.2	13.9	13.8	13.5	13	11.1	10.3	7.2		
CA4 100-200	125x100	218	9.2	12.5	16.5	-	-	-	-	-	16.4	16.4	16.2	15.9	15.6	15.5	15.2	14.7	12.8	12	8.9		
CA4 100-250	125x100	220	5.5	7.5	15.9	-	-	-	-	-	15.8	15.7	15.5	14.9	14.4	14.1	13.4	12.5	9.2	7.9	-		
CA4 100-250	125x100	240	7.5	10	19.5	-	-	-	-	-	19.5	19.4	19.2	18.8	18.3	18.1	17.6	16.9	14	12.7	-		
CA4 100-250	125x100	257	11	15	24.3	-	-	-	-	-	24.3	24.2	24.1	23.7	23.3	23.1	22.7	22.1	19.7	18.6	11.4		
CA4 100-250	125x100	270	15	20	27.8	-	-	-	-	-	27.8	27.7	27.6	27.2	26.8	26.6	26.2	25.6	23.2	22.1	14.9		
CA4 100-315	125x100	280	15	20	28	-	-	-	-	-	27.8	27.6	27.2	26.9	26.7	26.2	25.6	23.1	22.1	14.9	-		
CA4 100-315	125x100	300	18.5	25	31	-	-	-	-	-	30.8	30.6	30.2	29.9	29.7	29.2	28.6	26.1	25.1	17.9	-		
CA4 100-315	125x100	315	22	30	35	-	-	-	-	-	34.4	34.2	33.8	33.5	33.3	32.8	32.2	30	29	24	17.3		
CA4 100-315	125x100	328	30	40	37	-	-	-	-	-	36.8	36.7	36.4	36.1	35.9	35.5	35.1	33.2	32.4	28	21.3		
CA4 100-400	125x100	358	30	40	46.4	-	-	-	-	-	-	46	46	46	46	46	45	44	42	40	29.6		
CA4 100-400	125x100	378	37	50	51.8	-	-	-	-	-	-	51.3	51.2	51.1	51	50.5	49.5	47.5	46	37.3	-		
CA4 100-400	125x100	396	45	60	57.1	-	-	-	-	-	-	56.7	56.4	56.1	56	56	55	53	52	45	32.1		
CA4 100-400	125x100	420	55	75	64	-	-	-	-	-	-	63.7	63.4	63.1	63	63	62	60	59	52	39.1		

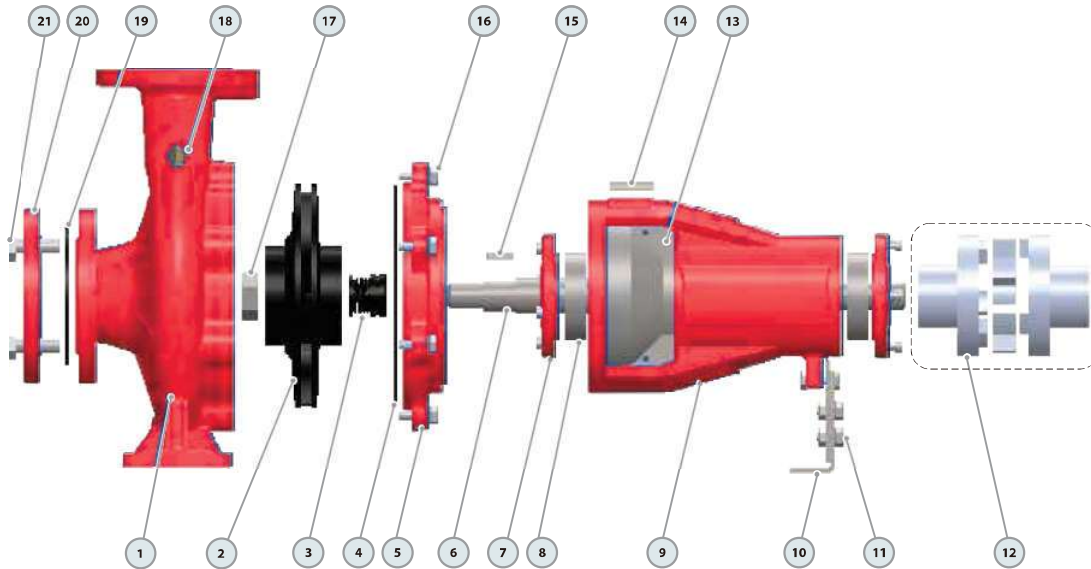
TECHNICAL DATA

50 Hz n=1450 1/min

MODEL	DN mm	Implr φ mm	Power kw hp		Q-DELIVERY																	
					us gpm	0	132	154	176	220	264	396	441	485	617	661	881	1101	1322	1762	2203	2643
					l/min	0	500	583	667	833	1000	1500	1667	1833	2333	2500	3333	4167	5000	6667	8333	10000
					m ³ /h	0	30	35	40	50	60	90	100	110	140	150	200	250	300	400	500	600
CA4 125-200	150x125	190	5.5	7.5	11.4	11.1	11.1	11	10.9	10.8	10.2	10	9.7	8.9	8.6	6.9	-	-	-	-	-	
CA4 125-200	150x125	205	7.5	10	14.1	13.9	13.8	13.7	13.6	13.1	12.9	12.7	11.9	11.6	9.6	-	-	-	-	-	-	
CA4 125-200	150x125	218	11	15	18.1	17.9	17.8	17.7	17.6	17.1	16.9	16.7	15.9	15.6	13.6	9.8	-	-	-	-	-	
CA4 125-250	150x125	215	7.5	10	15.4	-	-	-	-	15.3	15	14.8	14.6	13.6	13.1	-	-	-	-	-	-	
CA4 125-250	150x125	240	11	15	19.4	-	-	-	-	19.3	19.1	19	18.9	18.1	17.8	15.3	11.7	-	-	-	-	
CA4 125-250	150x125	265	15	20	23.2	-	-	-	-	23.3	23.1	23	22.9	22	22	19.8	16.5	12.3	-	-	-	
CA4 125-250	150x125	274	18.5	25	25.6	-	-	-	-	25.5	25.5	25.4	25.3	24.9	24.7	23	20.3	16.5	-	-	-	
CA4 125-315	150x125	280	18.5	25	27.3	-	-	-	-	-	26.9	26.7	25.9	25.6	23.3	19.7	14.9	-	-	-	-	
CA4 125-315	150x125	295	22	30	30	-	-	-	-	-	29.7	29.6	28.9	28.6	26.5	23.2	18.4	-	-	-	-	
CA4 125-315	150x125	310	30	40	35.6	-	-	-	-	-	35.4	35.3	34.8	34.6	32.9	30.1	26.1	-	-	-	-	
CA4 125-315	150x125	328	37	50	38.2	-	-	-	-	-	38	37.9	37.4	37.2	35.7	33.1	29.4	17.8	-	-	-	
CA4 125-400	150x125	350	30	40	41	-	-	-	-	-	41	40.5	40.3	39.2	38.6	34.4	27.5	18.3	-	-	-	
CA4 125-400	150x125	370	37	50	46.2	-	-	-	-	-	46	45.7	45.5	44.6	44.2	40.7	34.8	26.5	-	-	-	
CA4 125-400	150x125	390	45	60	51.4	-	-	-	-	-	51	50.9	50.8	50.1	49.8	47	42.2	34.8	-	-	-	
CA4 125-400	150x125	410	55	75	56.5	-	-	-	-	-	56.3	56.3	56.2	55.9	55.7	53.8	50.3	44.7	26.7	-	-	
CA4 125-400	150x125	425	75	100	64.5	-	-	-	-	-	64.3	64.3	64.2	63.9	63.7	61.8	58.3	52.7	34.7	-	-	
CA4 125-400	150x125	440	90	125	70	-	-	-	-	-	69.8	69.8	69.7	69.4	69.2	67.3	63.8	58.2	40.2	-	-	
CA4 150-200	200x150	225	11	15	14	-	-	-	-	-	-	-	-	13.5	13.4	13.3	13.1	12.9	11.7	7.8	-	
CA4 150-200	200x150	240	15	20	16.3	-	-	-	-	-	-	-	-	15.5	15.3	15.2	14.8	14.3	13.5	11.1	-	
CA4 150-200	200x150	250	18.5	25	18.3	-	-	-	-	-	-	-	-	17.5	17.3	17.2	16.8	16.3	15.5	13.1	10	
CA4 150-200	200x150	258	22	30	20.3	-	-	-	-	-	-	-	-	19.5	19.3	19.2	18.8	18.3	17.5	15.1	12	
CA4 150-250	200x150	242	15	20	17.5	-	-	-	-	-	-	-	-	-	16.8	15.9	14.7	13.2	9.2	-	-	
CA4 150-250	200x150	265	18.5	25	21.3	-	-	-	-	-	-	-	-	-	20.8	20	18.9	17.5	13.8	8.7	-	
CA4 150-250	200x150	280	22	30	24	-	-	-	-	-	-	-	-	-	23.6	23	22	20.8	17.1	12	-	
CA4 150-250	200x150	295	30	40	25.5	-	-	-	-	-	-	-	-	-	25	24.5	23.5	22	18.8	13.8	-	
CA4 150-315	200x150	287	30	40	30.2	-	-	-	-	-	-	-	-	-	29.7	29	27.9	26.4	22.3	-	-	
CA4 150-315	200x150	305	37	50	33.6	-	-	-	-	-	-	-	-	-	33.5	32.7	31.7	30.4	26.7	21.4	-	
CA4 150-315	200x150	327	45	60	37.7	-	-	-	-	-	-	-	-	-	37.6	36.9	35.9	34.7	31.3	26.5	-	
CA4 150-315	200x150	340	55	75	40	-	-	-	-	-	-	-	-	-	40	39.3	38.4	37.2	33.9	29.4	-	
CA4 150-315	200x150	365	75	100	47	-	-	-	-	-	-	-	-	-	47	46.3	45.4	44.2	40.9	36.4	29	
CA4 150-400	200x150	360	55	75	48.2	-	-	-	-	-	-	-	-	47.7	48	46	45	42	36.8	29.2	-	
CA4 150-400	200x150	385	75	100	55.4	-	-	-	-	-	-	-	-	-	55	55	54	53	51	47	41	
CA4 150-400	200x150	400	90	125	59.5	-	-	-	-	-	-	-	-	-	59	59	58	57	56	52	46	
CA4 150-400	200x150	420	110	150	65.5	-	-	-	-	-	-	-	-	-	65	65	64	63	62	58	52	
CA4 150-400	200x150	440	132	180	72	-	-	-	-	-	-	-	-	-	71.5	71.5	70.5	69.5	68.5	64.5	58.5	

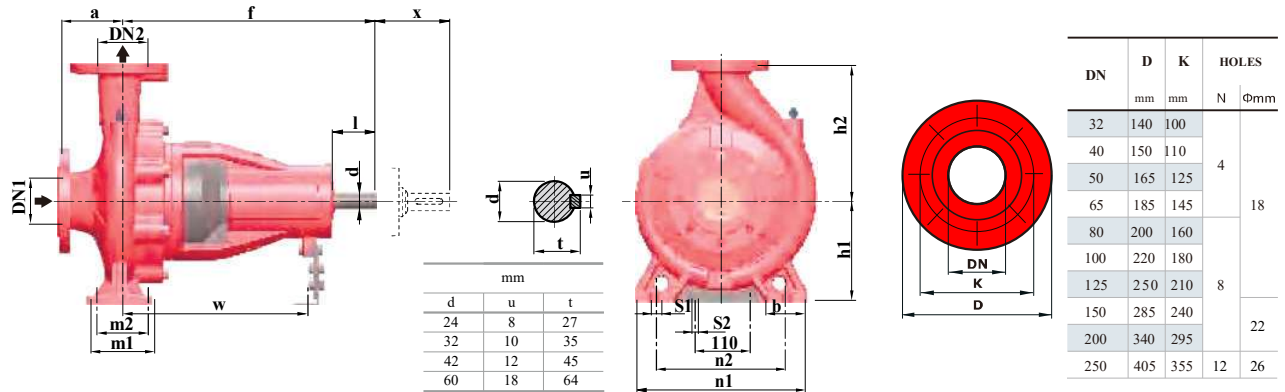
MODEL	DN mm	Implr φ mm	Power kw hp		Q-DELIVERY																
					us gpm	0	881	1322	1762	2203	2643	3084	3524	3965	4405	4846	52	86	5727	6167	6608
					l/min	0	3333	5000	6667	8333	10000	11667	13333	15000	16667	18333	20000	21667	23333	25000	
					m ³ /h	0	200	300	400	500	600	700	800	900	1000	1100	1200	1300	1400	1500	
CA4 200-250	250x200	270	37	50	23	22	21	19.8	18.3	16.1	12.8	9.3	-	-	-	-	-	-	-	-	-
CA4 200-250	250x200	290	45	60	26	25	24	22.8	21.3	19.1	15.8	12.3	-	-	-	-	-	-	-	-	-
CA4 200-250	250x200	310	55	75	30.7	29.7	28.7	27.5	26	23.8	20.5	17	-	-	-	-	-	-	-	-	-
CA4 200-315	250x200	310	55	75	31.1	31	30	29.3	27.5	25	21.3	16	-	-	-	-	-	-	-	-	-
CA4 200-315	250x200	330	75	100	35.1	35	34	33.3	31.5	29	25.3	20	-	-	-	-	-	-	-	-	-
CA4 200-315	250x200	360	90	125	42.1	42	41	40.3	38.5	36	32.3	27	-	-	-	-	-	-	-	-	-
CA4 200-400	250x200	350	75	100	41	40.9	40.4	38.9	37.4	34.9	32.9	28.9	-	-	-	-	-	-	-	-	-
CA4 200-400	250x200	370	90	125	46.5	46.4	45.9	44.4	42.9	40.4	38.4	34.4	-	-	-	-	-	-	-	-	-
CA4 200-400	250x200	395	110	150	52.4	52.3	51.8	50.3	48.8	46.3	44.3	40.3	-	-	-	-	-	-	-	-	-
CA4 200-400	250x200	420	132	180	60.1	60	59.5	58	56.5	54	52	48	40	-	-	-	-	-	-	-	-
CA4 250-315	300x250	320	90	125	30.5	-	-	29	28.3	28	27.6	27	26.4	25.8	24.8	23	21.8	-	-	-	-
CA4 250-315	300x250	340	110	150	34.5	-	-	33	32.3	32	31.6	31	30.4	29.8	28.8	27	25.8	-	-	-	-
CA4 250-315	300x250	360	132	180	38.5	-	-	37	36.3	36	35.6	35	34.4	33.8	32.8	31	29.8	28	-	-	-
CA4 250-315	300x250	390	160	220	45	-	-	43.5	42.8	42.5	42.1	41.5	40.9	40.3	39.3	37.5	36.3	34.5	-	-	-
CA4 250-400	300x250	365	160	220	43	-	-	42	41.2	40.8	40	39	38	37	36	34	32.5	30	-	-	-
CA4 250-400	300x250	380	185	250	47	-	-	46	45.2	44.8	44	43	42	41	40	38	36.5	34	-	-	-
CA4 250-400	300x250	400	200	270	53	-	-	52	51.2	50.8	50	49	48	47	46	44	42.5	40	38	-	-
CA4 250-400	300x250	420	220	300	58	-	-	57	56.2	55.8	55	54	53	52	51	49	47.5	45	43	-	-
CA4 250-400	300x250	448	250	340	66	-	-	65	64.2	63.8	63	62	61	60	59	57	55.5	53	51	-	-

MATERIAL DESCRIPTION



No.	Description	Material	No.	Description	Material	No.	Description	Material
1	Pump Case	Cast iron	8	Bearing	Ball Bearing	15	Impeller Key	Iron
2	Impeller	SS304/Cast iron	9	Support Case	Cast iron	16	Connection Bolt	Steel
3	Mechanical Seal	SiC/Carbon/SS304	10	Support Foot	Iron	17	Impeller Nut	Galvanized Steel
4	O-ring	Rubber	11	Foot Bolt	Steel	18	Release Valve	Brass
5	Connection	Cast iron	12	Coupling(Optional)	Steel	19	Gasket	Rubber
6	Shaft	SS304/45# Steel	13	Case Cover	SS304	20	Counter Flange	Galvanized Cast iron
7	Bearing Cover	Cast iron	14	Nameplate	Aluminum	21	Flange Bolt	Steel

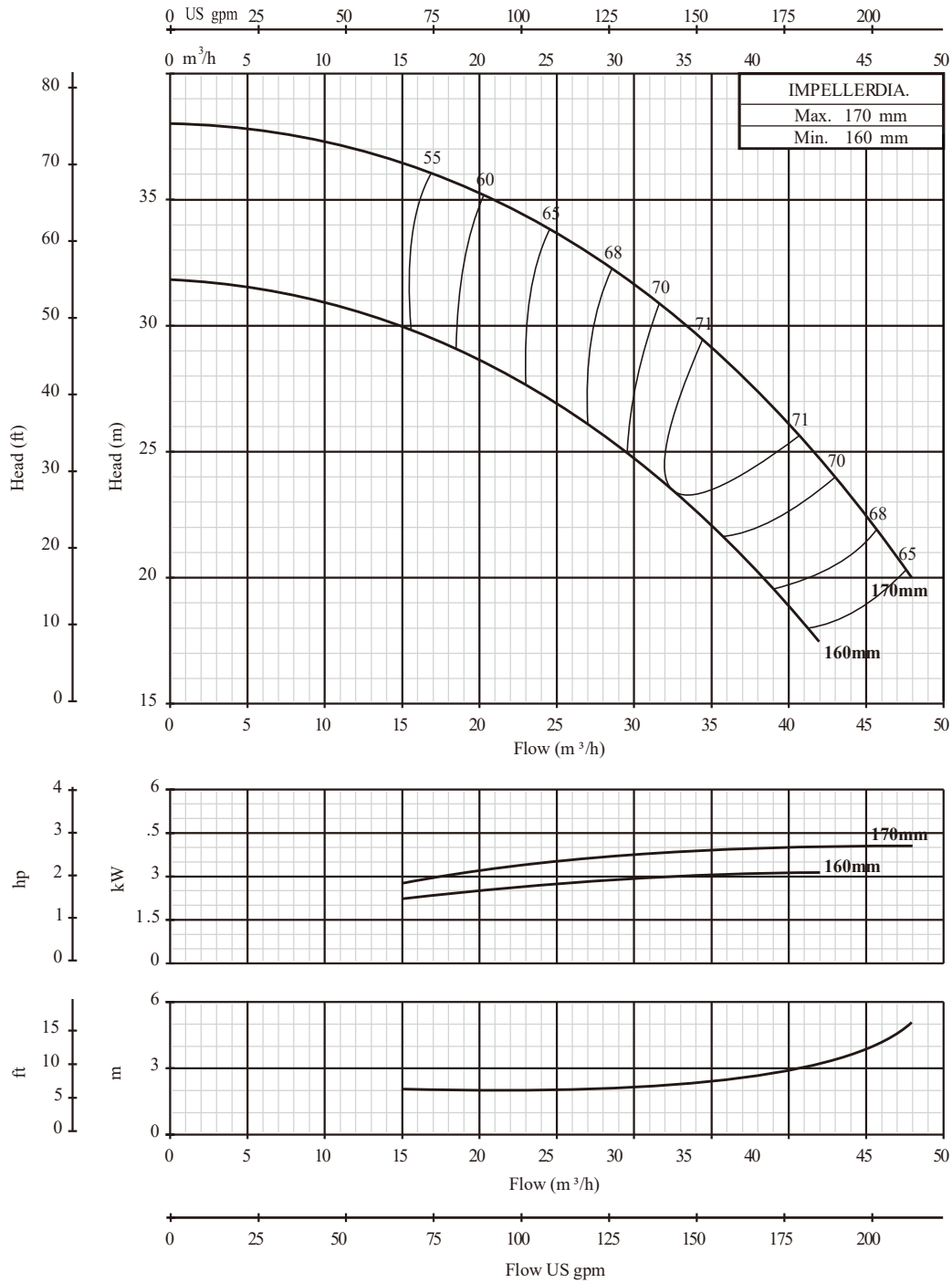
DIMENSIONS AND WEIGHT



MODEL	DIMENSIONS																	kg
	DN1	DN2	a	f	h1	h2	b	m1	m2	n1	n2	s1	s2	w	x	d	l	
32-160	50	32	80	360	132	160	55	95	70	240	190	14	14	260	100	24	50	31
32-200	50	32	80	360	160	180	55	95	70	240	190	14	14	260	100	24	50	35
32-250	50	32	80	360	160	180	55	95	70	240	190	14	14	260	100	24	50	35
40-160	65	40	80	360	132	160	50	100	70	240	190	14	14	260	100	24	50	35
40-200	65	40	100	360	160	180	55	100	70	265	212	14	14	260	100	24	50	38
40-250	65	40	100	360	180	225	65	125	95	320	250	14	14	260	100	24	50	58
40-315	65	40	125	500	200	160	65	125	95	345	280	14	14	370	140	32	80	82
50-125	65	50	100	360	132	180	50	100	70	240	190	14	14	260	100	24	50	30
50-160	65	50	100	360	160	200	55	100	70	265	212	14	14	260	100	24	50	35
50-200	65	50	100	360	160	225	50	100	70	265	212	14	14	260	100	24	50	45
50-250	65	50	100	360	180	180	65	125	95	320	250	14	14	260	100	24	50	50
50-315	65	50	125	500	225	280	65	125	95	345	280	14	14	370	140	32	80	90
65-125	80	65	100	360	160	250	65	125	95	280	212	14	14	260	100	24	50	42
65-160	80	65	100	360	160	200	65	125	95	280	212	14	14	260	100	24	50	45
65-200	80	65	100	360	180	225	65	125	95	320	250	14	14	260	140	24	50	50
65-250	80	65	100	470	200	250	80	160	120	360	280	18	14	340	140	32	80	71
65-315	80	65	125	470	225	280	80	160	120	360	280	18	14	340	140	32	80	98
80-125	100	80	100	360	180	225	65	125	95	320	250	14	14	260	140	24	50	46
80-160	100	80	100	360	180	225	65	125	95	345	250	14	14	260	140	24	50	48
80-200	100	80	100	470	200	250	65	125	95	345	280	14	14	340	140	32	80	65
80-250	100	80	100	470	200	280	80	160	120	400	315	18	14	340	140	32	80	79
80-315	100	80	125	470	250	315	80	160	120	400	315	18	14	340	140	24	50	118
80-400	100	80	125	540	280	355	80	160	120	400	315	18	14	340	140	32	80	150
100-160	125	100	125	360	200	280	80	160	120	360	280	18	14	260	140	32	80	55
100-200	125	100	125	470	200	280	80	160	120	360	280	18	14	340	140	32	80	75
100-250	125	100	125	470	225	280	80	160	120	400	315	18	14	340	140	32	80	88
100-315	125	100	140	470	250	315	80	160	120	400	315	19	14	340	140	32	80	116
100-400	125	100	140	530	280	355	100	200	150	500	400	23	14	370	140	42	110	178
125-200	150	125	140	470	250	315	80	160	120	400	315	19	14	340	140	32	80	112
125-250	150	125	140	470	250	355	80	160	120	400	315	19	14	340	140	32	80	112
125-250H	150	125	140	530	250	355	80	160	120	400	315	19	14	370	140	42	110	140
125-315	150	125	140	530	280	355	100	200	150	500	400	23	14	370	140	42	110	152
125-400	150	125	140	530	315	400	100	200	150	500	400	23	14	370	140	42	110	200
150-200	200	150	160	470	280	400	100	200	150	550	450	23	14	370	140	32	80	166
150-250	200	150	160	530	280	400	100	200	150	550	450	23	14	370	140	42	110	180
150-315	200	150	160	530	280	400	100	200	150	550	450	23	14	370	140	42	110	186
150-400	200	150	160	530	315	450	100	200	150	550	450	23	14	370	140	42	110	228
200-250	250	200	180	530	355	475	100	200	150	550	450	23	14	370	200	42	110	230
200-315	250	200	180	530	355	450	100	200	150	550	450	23	14	370	200	42	110	234
200-400	250	200	180	770	400	500	110	300	250	710	600	28	14	525	250	60	140	363
250-315	300	250	250	530	400	500	110	300	250	710	600	28	14	525	250	42	110	316
250-400	300	250	250	770	400	560	110	300	250	710	600	28	14	525	250	60	140	400

40-160

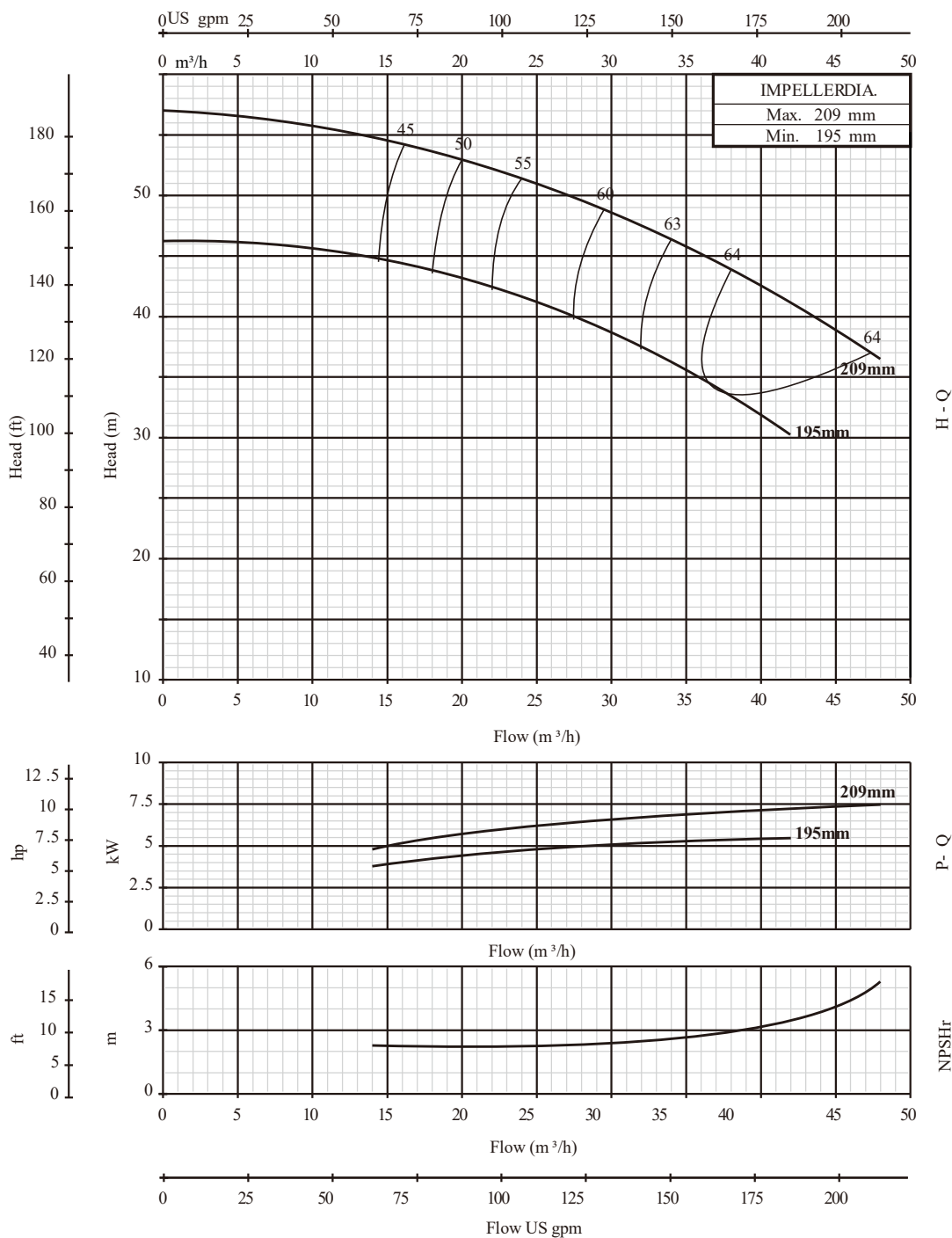
2900rpm



PERFORMANCE CURVE

40-200

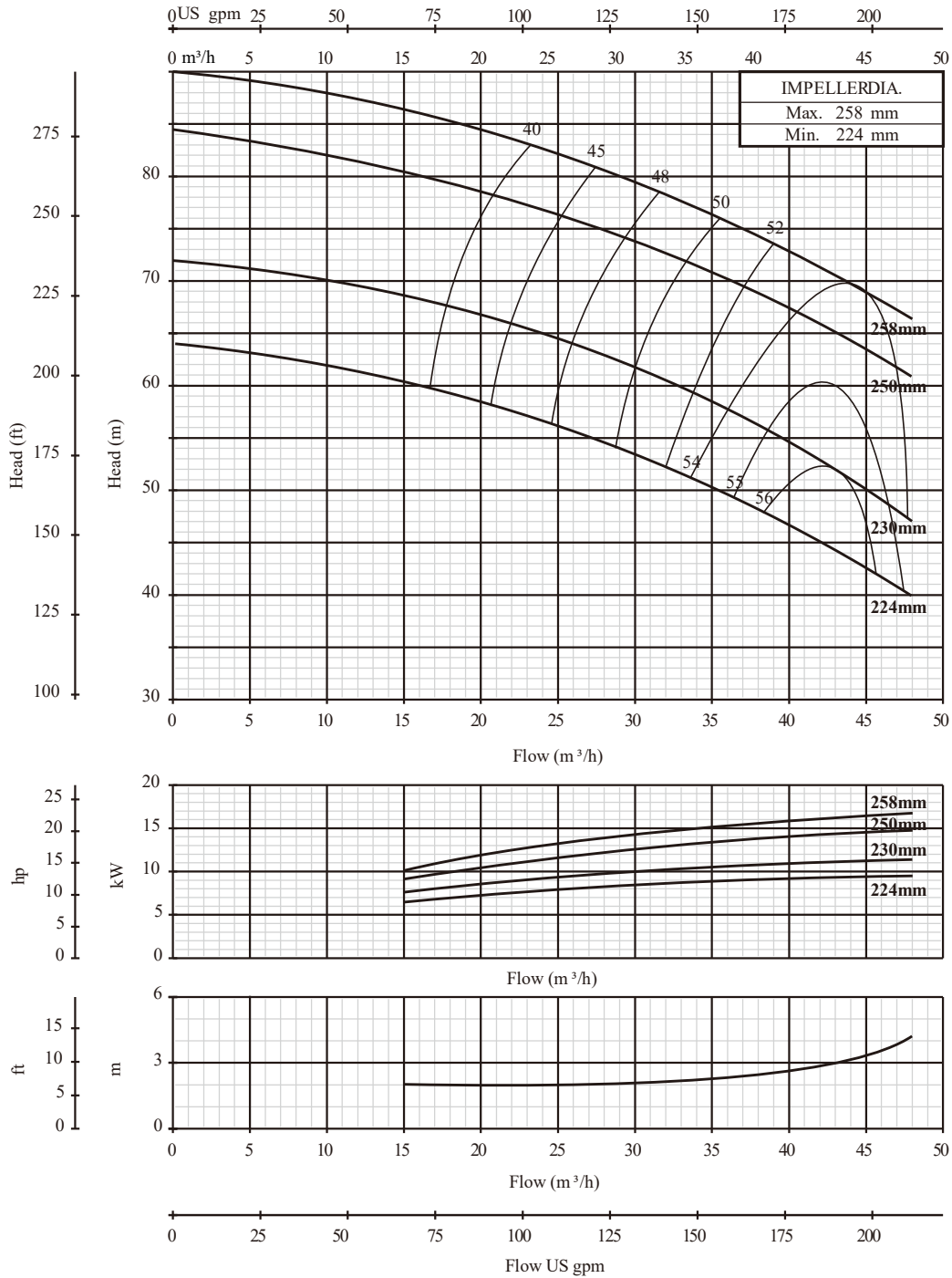
2900rpm



PERFORMANCE CURVE

40-250

2900rpm



PERFORMANCE CURVE

40-315

2900rpm

PERFORMANCE CURVE

