



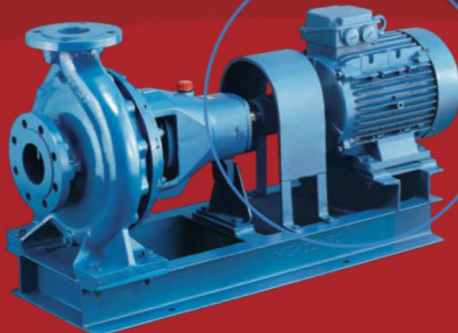
THUAN HIEP THANH CO.,LTD

<http://thuanhiepthanh.vn>



TESU PUMP

**Centrifugal Pump
DIN 24255/
EN733**





**EUROPEAN
DIN / EN 733**

STE SERIES

Back Pull Out End Suction Centrifugal Pump DIN 24255

MATERIAL OF CONSTRUCTION

Part	Material
Casing	Cast Iron/ SS304, SS316, Bronze *
Impeller	Cast Iron/ Bronze/ SS304, SS316 *
Wear Ring (Optional)	Cast Iron/ Bronze *
Shaft	Stainless Steel
Shaft Nut	Bronze
Shaft Sleeve	Stainless Steel
Lantern Ring	Cast Iron/ Bronze *
Gland	Cast Iron

* Available material on request.

Notice: Other special material please contact our company.

MATERIAL SPECIFICATION

Material	Nearest Equivalent Standard			
	DIN	American	British	Australian
Cast Iron	DIN 1691 GG-25	ASTM A48 Class 40	BS 1452 Gr 260	AS 1830 T 260
Bronze	DIN 1714 G-CuAl 10Fe3	ASTM B148 C952	BS 1400 AB1	AS 1565 C952
Stainless Steel	DIN 17440 X20CR13	AISI 420	BS 970 Gr 420/S37	AS 1444 Gr 420



STE SERIES BACK PULL OUT FEATURE

This design feature allows the complete rotating relevant to be moved for servicing without disconnecting pipework. If a spacer coupling is fit then motor does not have to be moved. On re-assembly of pump coupling re-alignment properly are completely eliminated.

MARKET SECTORS

Building Services, HVAC,
Agriculture, Civil, Industries

APPLICATION

STE pump series is suitable for handling Clear water and similar liquid. Mainly used in the following application:

- Water Supply
- Pressure Boosting
- Air Condition
- Refrigeration
- Heating and Ventilating
- Irrigation
- Fire Protection
- Industrial used

SPECIFICATION

Capacity : up to 540 m³/hr, 2poles
up to 1900 m³/hr, 4poles

Head : up to 155 m, 2poles
up to 90 m, 4poles

Pump Size : DN 32-DN 300

Speed : up to 3500rpm

Operating Temperature:-10 °C to 105 °C

For higher rating temperature application, please contact local distributor.

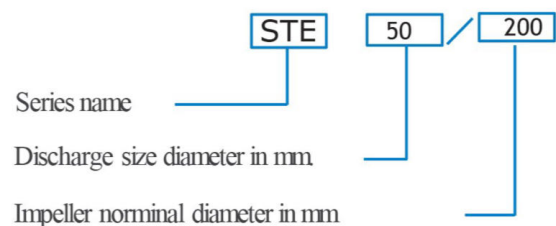
Operating Pressure : up to 1600 kPa
(Maximum pressure will vary depending on particular pump model, higher ratings available on application.)

Standard Mechanical Seal made of Silicon carbide/ Carbon/ NBR according to DIN 24960 Standard. Alternative materials are available on application.

Oil Lubrication complete with level sight glass is available on stock.

Counter-Clockwise Rotation when looking at pump from the suction side.

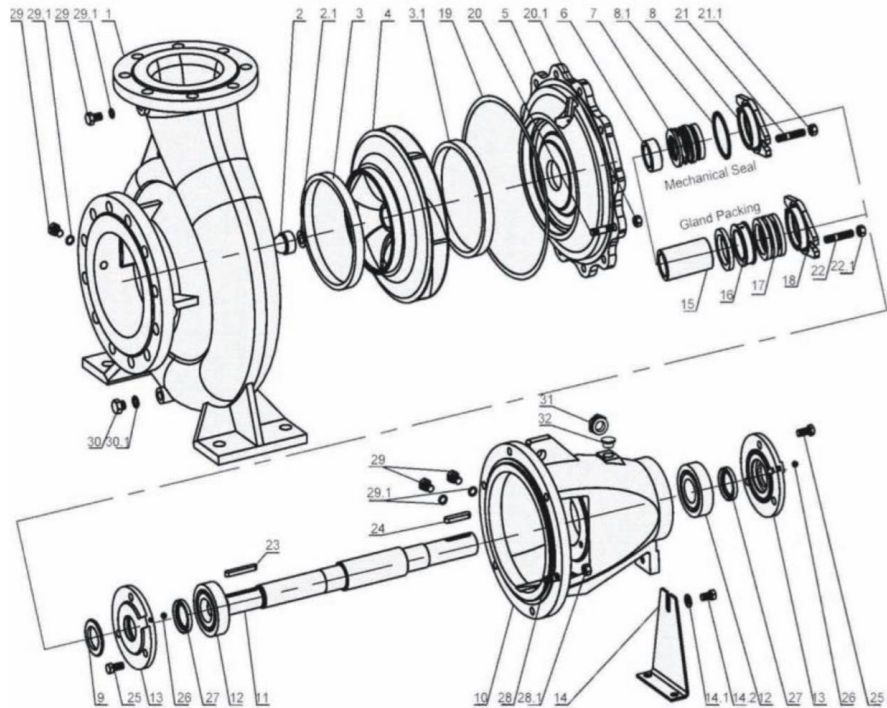
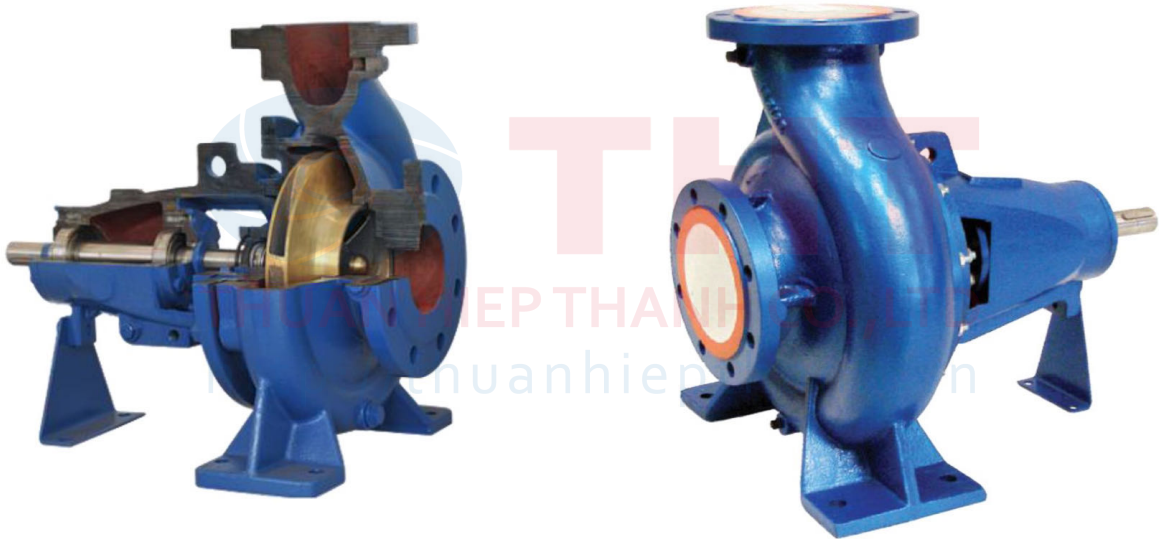
IDENTIFICATION CODE



TESU PUMP

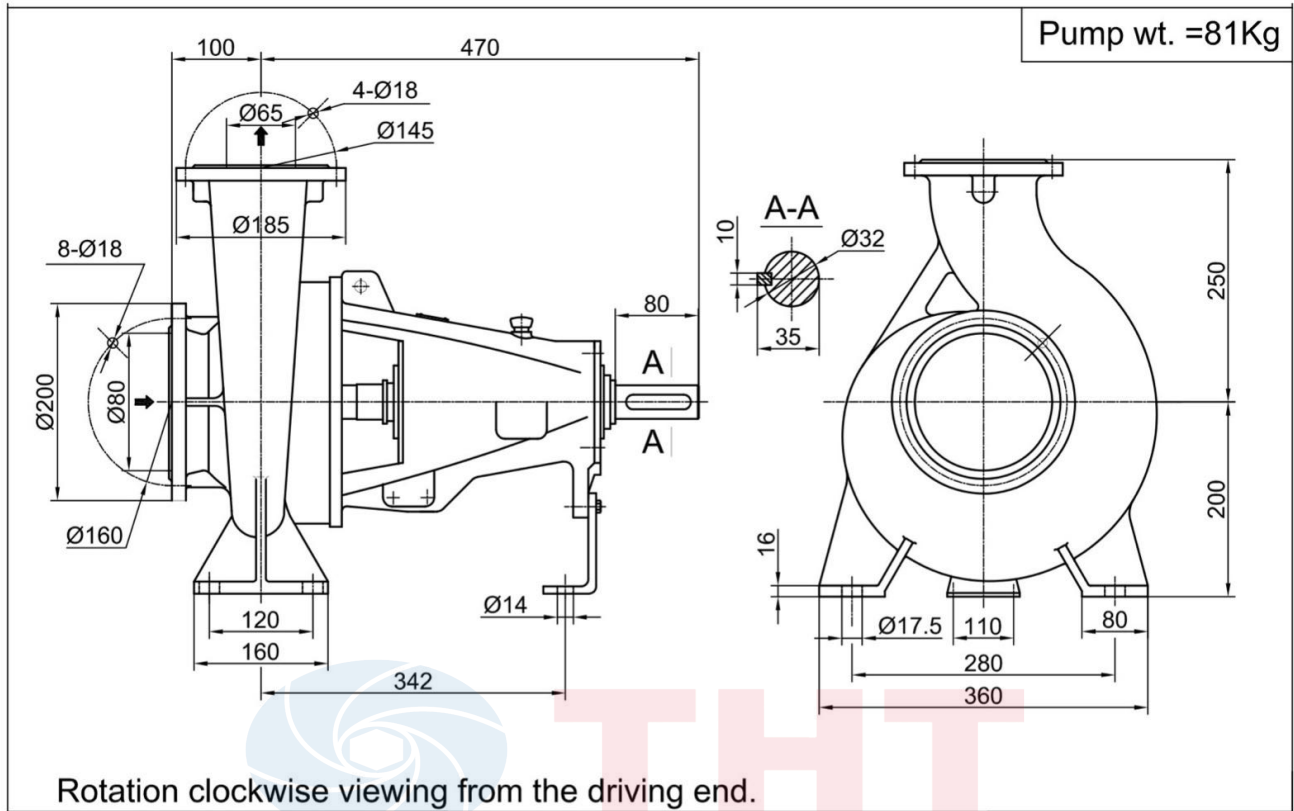
STE PUMP DRAWING (mm)

1	6	12	17	22	28
Casing	Seal Seat	Bearing	Gland Packing	Stuff	Stuff
2	7	13	18	22.1	29
Impeller Nut	Mechanical Seal	Bearing Cover	Packing Cover	Nut	Vent Plut
2.1	8	14	19	23	29.1
Flexibel Wash er	Seal Cover	Support Foot	Gasket	Impeller Key	Washer
3	8.1	14.1	20	24	30
Front Wear Rino	O-ring	Bolt	Stud	Motor Key	Drainage PTuq
3.1	9	14.2	20.1	25	30.1
Rear WearRinq	Slinger	Nut	Nut	Bolt	Washer
4	10	15	21	26	31
Impeller	Bearino Housino	Packing Sleeve	Stud	Oil Nipple	Oil Glass
5	11	16	21.1	27	32
Casino Cover	Shaft	Packing Rino	Nut	Oil Seal	Oil Hole Cover

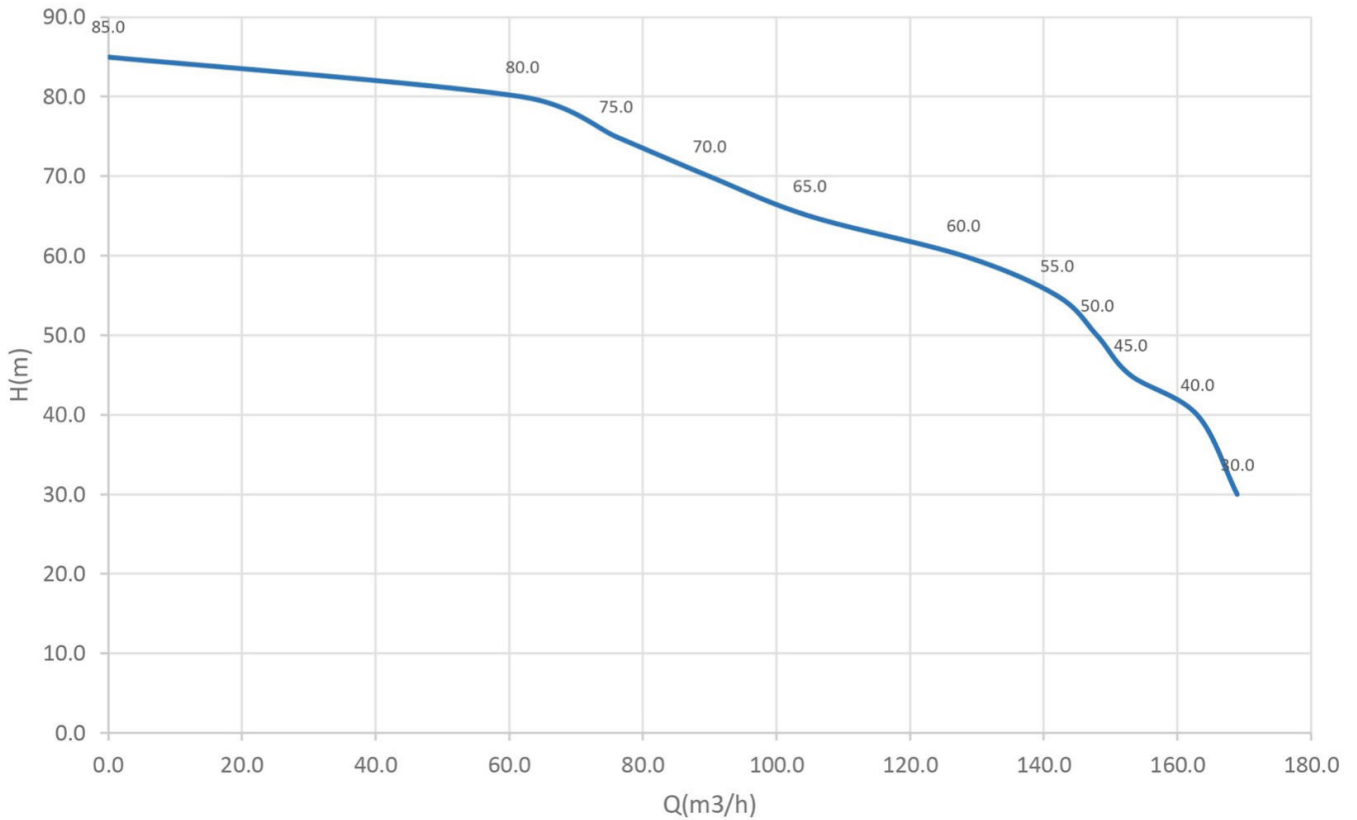




STE 65-250



m ³ /h	169	163	153	148	142	128	105	90	76	62	0
m	30	40	45	50	55	60	65	70	75	80	85



ELECTRIC MOTORS

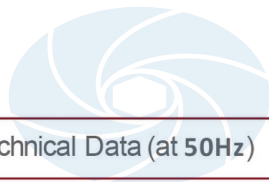


Induction Motors

Three-Phase Asynchronous Motors
Cast Iron / Aluminum Housing

TESU Motor of three phase asynchronous motors are constructed Totally Enclosed Fan Cooled (TEFC), and is available in both cast iron and aluminium housing. It encompasses our latest design with many new features, are made of selected high quality materials and conform to the IEC Standard.

Some unique design features are our special conical pro ventilation fan cover, detachable feet for cast iron housing, and extended aluminium housing range up till frame size 200. TE M series motors comes with Protection IP55, Insulation Class F and NSK imported bearings as a standard issue. These series of motors can be used for general drives.



THT

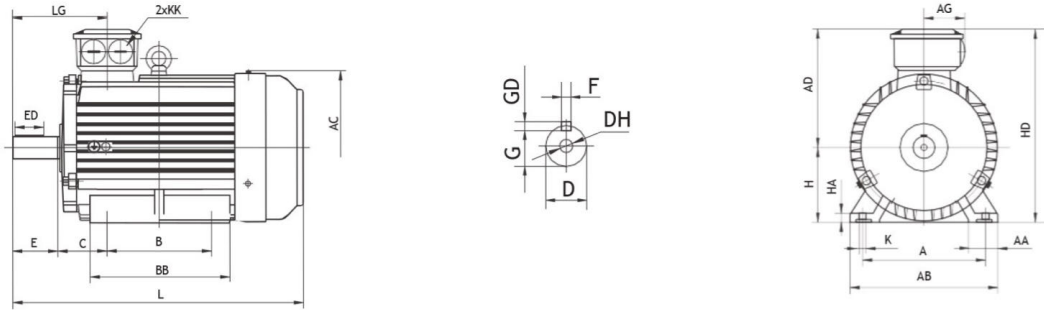
Efficiency Motors Technical Data (at 50Hz)

2 Pole-3000 rpm Synchronous Speed 50Hz

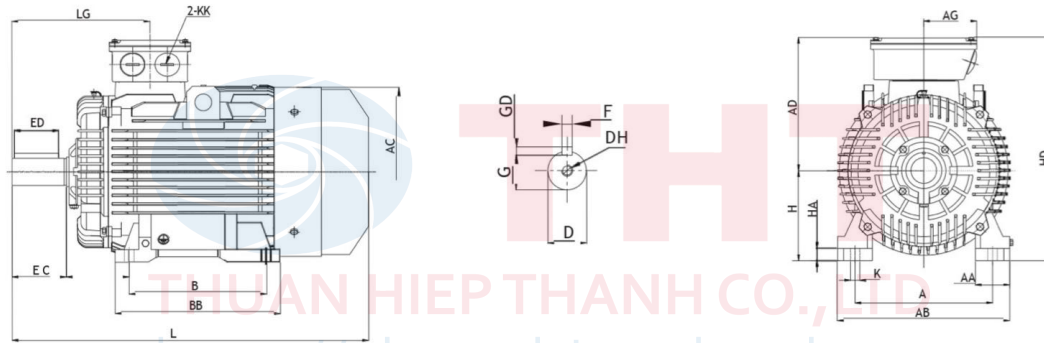
Motor Type	Rated Output		Rated Speed rpm	IL	IL	IL	IS	BF %	Power Factor	Rated Torque Nm	TS T TFL	T M TFL	MofJ kgm2	Noise Level LWdB(A)	Net Weightkg
	KW	HP		380V (AMP)	400V (AMP)	415V (AMP)	T IF L								
TE71A-2	0.37	0.5	2750	0.89	0.85	0.82	4.3	72.5	0.86	1.3	2.2	2.4	0.001	64	13
TE71B-2	0.55	0.75	2760	1.2	1.14	1.1	4.9	78	0.89	1.9	2.5	2.6	0.001	64	14
TE80A-2	0.75	1	2840	1.8	1.7	1.67	5.5	75.5	0.83	2.5	2.3	2.6	0.001	67	16
TE80B-2	1.1	1.5	2840	2.6	2.5	2.4	5.6	76.2	0.84	3.7	2.3	2.6	0.001	67	17
TE90S2	1.5	2	2850	3.4	3.2	3.1	6.1	79.5	0.85	5	2.5	2.9	0.001	72	22
TE90L-2	2.2	3	2850	4.8	4.6	4.4	6.1	81.7	0.85	7.4	2.7	2.9	0.001	72	25
TE100L-2	3	4	2880	6.3	6	5.8	6.5	83.1	0.87	10	2.7	2.9	0.004	76	33
TE112M-2	4	5.5	2880	8.2	7.8	7.6	6.5	84.2	0.88	13.3	2.6	2.9	0.006	77	45
TE132SA-2	5.5	7.5	2900	11.1	10.5	10.2	6.9	85.9	0.88	18.1	2.3	2.6	0.011	80	64
TE132SB-2	7.5	10	2900	14.9	14.2	13.5	6.9	87.2	0.88	24.5	2.5	2.8	0.013	80	70
TE160MA-2	11	15	2930	21.1	20.1	19.4	6.7	88.7	0.89	35.8	2.6	2.9	0.038	86	117
160MB-2	15	20	2930	28.6	27.2	26.2	6.7	89.5	0.89	48.8	2.6	2.9	0.045	86	125
TE160L-2	18.5	25	2930	34.6	32.9	31.8	6.8	90.2	0.9	60.4	2.5	2.8	0.055	86	147
TE180M-2	22	30	2940	41	38.9	37.6	6.6	90.6	0.9	71.4	2.6	2.8	0.076	89	180
TE200L1-2	30	40	2950	55.4	52.6	50.7	6.5	91.5	0.9	97.2	2.5	2.7	0.124	92	240
TE200L2-2	37	50	2950	67.9	64.5	62.2	6.5	92	0.9	119.8	2.4	2.6	0.139	92	255
TE225M-2	45	60	2970	82.1	78	75.3	6.8	92.5	0.9	144.8	2.4	2.6	0.233	92	309
TE250M-2	55	75	2970	99.6	94.6	91.3	6.8	93.2	0.9	177	2.5	2.8	0.312	93	403
TE280S-2	75	100	2970	134.8	128.1	123.5	6.7	93.9	0.9	241.3	2.4	2.7	0.597	94	544
TE280M-2	90	120	2970	159.5	151.5	146.1	6.7	94.2	0.91	289.5	2.4	2.7	0.675	94	620
TE315S-2	110	150	2980	194.6	184.9	178.2	6.6	94.4	0.91	352.7	2	2.5	1.18	96	980
TE315M-2	132	180	2980	233	221.4	213.4	6.6	94.6	0.91	423.2	2.1	2.5	1.55	96	1080
TE315LA-2	160	220	2980	282.1	270	258.4	6.7	94.7	0.91	513	1.9	2.4	1.76	99	1160
TE315LB-2	200	270	2980	347.7	330.1	318.4	6.7	95	0.92	641.2	1.9	2.4	2.02	99	1190
TE355MA-2	220	300	2980	399.5	379.6	365.9	6.5	95.2	0.92	713.4	1.6	2.3	3.1	103	1590
TE355MB-2	250	340	2980	432.3	410.8	395.9	6.5	95.5	0.92	801.5	1.6	2.3	3.56	103	1760
TE355L-2	315	430	2980	543	515.9	497.3	6.5	95.8	0.92	1010	1.6	2.3	4.1	103	1850

Dimension foot mount B3

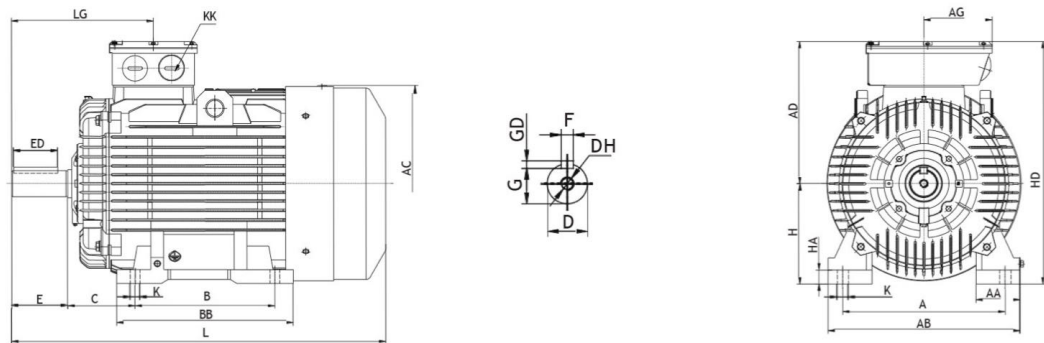
Frame size from 80 to 132



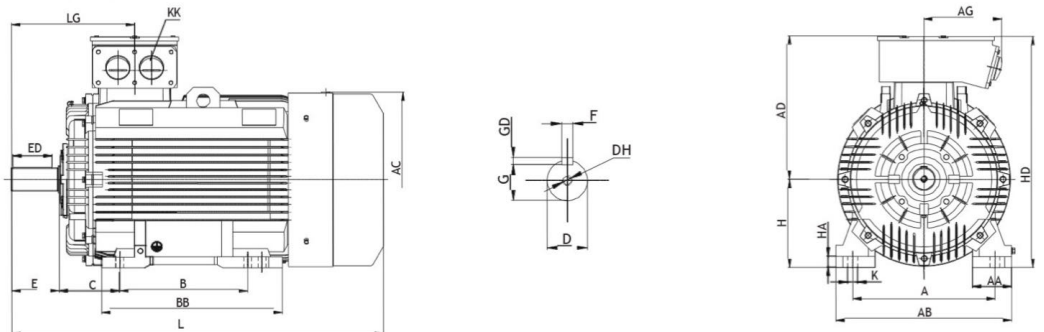
Frame size from 160 to 200



Frame size from 225 to 280



Frame size from 315 to 355



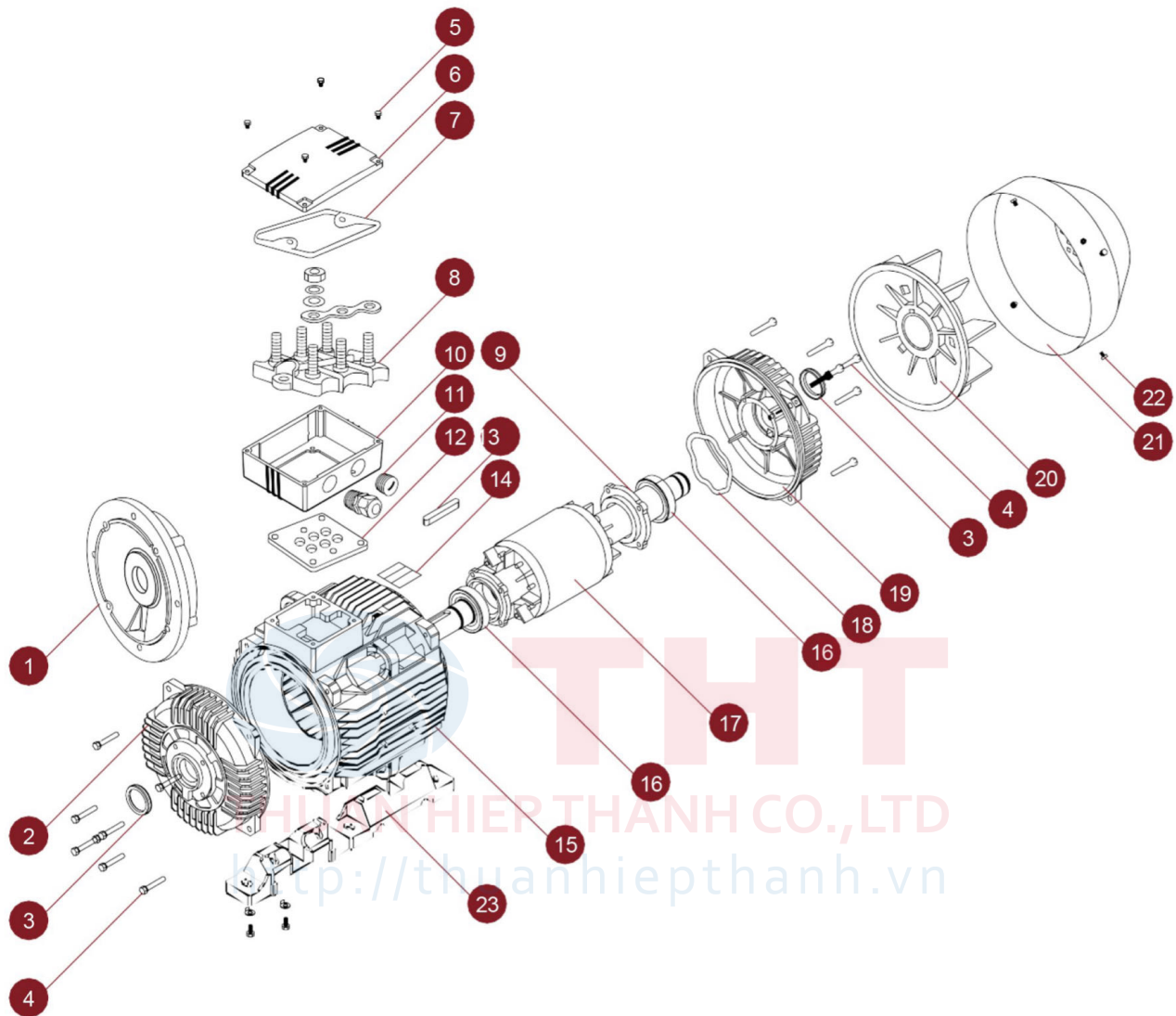
Frame size	A	AA	AB	AC	AD	AG	B	BB	C	D	DH	E	ED	F	G	GD	H	HA	HD	K	KK	L	LG
80	125	34	160	175	150	51	100	130	50	19	*M6X16	40	25	6	15.5	6	80	10	230	10	M25X1.5	295	106
90S	140	36	180	190	170	60	100	135	56	24	*M8X19	50	40	8	20	7	90	12.5	260	10	M25X1.5	320	124
90L	140	36	180	190	170	60	125	160	56	24	*M8X19	50	40	8	20	7	90	12.5	260	10	M25X1.5	345	124
100L	160	40	200	215	175	60	140	182	63	28	*M10X22	60	45	8	24	7	100	14	275	12	M32X1.5	385	140
112M	190	45	230	236	198	75	140	195	70	28	M10X22	60	45	8	24	7	112	14	310	12	M32X1.5	415	145
132S	216	52	265	275	218	75	140	205	89	38	M12X28	80	63	10	33	8	132	16	350	12	M32X1.5	480	169
132M	216	52	265	275	218	75	178	245	89	38	M12X28	80	63	10	33	8	132	16	350	12	M32X1.5	520	169
160M	254	65	314	314	255	95	210	268	108	42	M16X36	110	90	12	37	8	160	20	415	14.5	M40X1.5	625	256
160L	254	65	314	314	255	95	254	312	108	42	M16X36	110	90	12	37	8	160	20	415	14.5	M40X1.5	670	256
180M	279	70	349	355	275	95	241	296	121	48	M16X36	110	90	14	42.5	9	180	22	455	14.5	M40X1.5	700	274
180L	279	70	349	352	270	95	279	335	121	48	M16X36	110	90	14	42.5	9	180	22	450	14.5	M40X1.5	740	274
200L	318	72	380	399.7	307	165.5	305	366	133	55	M20X42	110	90	16	49	10	200	23	507	18.5	M50X1.5	780	293
225S	356	85	430	460	335	165.5	286	356	149	60	M20X42	140	110	18	53	11	225	24	560	18.5	M50X1.5	820	329
225M ¹⁾	356	85	430	460	335	165.5	311	381	149	55	M20X42	110	90	16	49	10	225	24	560	18.5	M50X1.5	820	299
225M	356	85	430	460	335	165.5	311	381	149	60	M20X42	140	110	18	53	11	225	24	560	18.5	M50X1.5	850	329
250M ¹⁾	406	110	480	500	370	185	349	440	168	60	M20X42	140	110	18	53	11	250	35	620	24	M63X1.5	945	355
250M	406	110	480	500	354	170	349	440	168	65	M20X42	140	110	18	58	11	250	35	620	24	M63X1.5	925	355
280S ¹⁾	457	130	542	560	395	185	368	458	190	65	M20X42	140	110	18	58	11	280	33	675	24	M63X1.5	1020	360
280S	457	130	542	560	395	185	368	458	190	75	M20X42	140	110	20	67.5	12	280	33	675	24	M63X1.5	1020	360
280M ¹⁾	457	130	542	560	395	185	419	509	190	65	M20X42	140	110	18	58	11	280	33	675	24	M63X1.5	1070	360
280M	457	130	542	560	395	185	419	509	190	75	M20X42	140	110	20	67.5	12	280	33	675	24	M63X1.5	1070	360
315S ¹⁾	508	140	628	623	520	275	406	590	216	65	M20X42	140	110	18	58	11	315	40	835	28	M63X1.5	1195	385
315M ¹⁾	508	140	628	623	520	275	457	645	216	65	M20X42	140	110	18	58	11	315	40	835	28	M63X1.5	1305	385
315L ¹⁾	508	140	628	623	520	275	508	645	216	65	M20X42	140	110	18	58	11	315	40	835	28	M63X1.5	1305	385
315S	508	140	628	623	520	275	406	590	216	80	M20X42	170	140	22	71	14	315	40	835	28	M63X1.5	1225	415
315M	508	140	628	623	520	275	457	645	216	80	M20X42	170	140	22	71	14	315	40	835	28	M63X1.5	1335	415
315L	508	140	628	623	520	275	508	645	216	80	M20X42	170	140	22	71	14	315	40	835	28	M63X1.5	1335	415
355M ¹⁾	610	160	740	698	645	330	560	850	254	75	M20X50	140	110	20	67.5	12	355	55	1000	28	M63X1.5	1600	415
355L ¹⁾	610	160	740	698	645	330	630	850	254	75	M24X50	140	110	20	67.5	12	355	55	1000	28	M63x1.5	1600	415
355M	610	160	740	698	645	330	560	850	254	95	M24X50	170	140	25	86	14	355	55	1000	28	M63X1.5	1625	445
355M ²⁾	610	160	740	698	645	330	560	850	254	100	M24X50	210	160	28	90	16	355	55	1000	28	M63X1.5	1670	490
355L	610	160	740	698	645	330	630	850	254	95	M24X50	170	140	25	86	14	355	55	1000	28	M63X1.5	1625	445
355L ²⁾	610	160	740	698	645	330	560	850	254	100	M24X50	210	160	28	90	16	355	55	1000	28	M63X1.5	1670	490

1) 2 Pole motors only

2) These motor can also be supplied. Please state the dimensions of the shaft extension on order

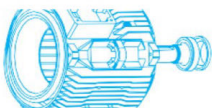
** Means that the cable gland is only one. The "R" dimension is zero.

Motor Spare Part List/Drawing



1 Flange B5	7 Terminal box seal	13 Key	19 NDE shield
2 End shield B3	8 Terminal board complete with components	14 Nameplate	20 Cooling fan
3 V-ring	9 Bearing cover	15 Frame	21 Fancover
4 Screws for fixing end shield	10 Terminal box base	16 Bearings	22 Screws for fixing fan cover
5 Screws for fixing terminal box cover	11 Cable gland and plug	17 Rotor with shaft complete	23 Feet
6 Terminal box cover IP55	12 Terminal base seal	18 Spring washer	

• This catalogue is only a reference for users. The data may be changed, please contact us before ordering.
 • Note type, rated output, synchronous speed, voltage and frequency, insulation class, mounting type etc. When ordering.
 • For special requirement, please contact us, we may deliver following special type of motor :
 1. Voltage: such as 420V 2. Frequency 60Hz 3. Double end shaft 4. Motor for tropical humid climate



MODEL STE65-250
Q: 169 – 62 m³/h
H: 30 – 85 m



TECHNICAL FEATURE TESU ELECTRIC FIRE PUMP SET:	
Model:	STE65-250
Quality Certificate:	ISO9001
Color (can be changed)	Red/ Black
Related Documents:	Delivery Note, Importing Documents of Engine and Pumps
Fire Fighting Inspection Certificate:	Per Request



TESU ELECTRIC FIRE MOTORS	
ENGINE BRAND:	TESU
Model:	TE225M-2
Power max / Speed max	60HP@2900 RPM

TESU FIRE PUMP – STE SERIES	
BRAND:	TESU STE SERIES - THAILAND
Model:	STE65-250
Power Kw/Hp	45/60
Flow	169-62 m ³ /h
Head	30-85 m



WE PROVIDE A COMPREHENSIVE SOLUTION

Our team's innovative solutions to customer needs

