



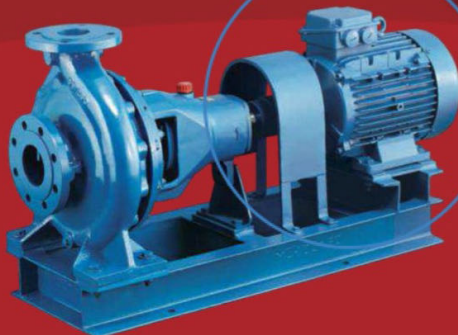
THUAN HIEP THANH CO.,LTD

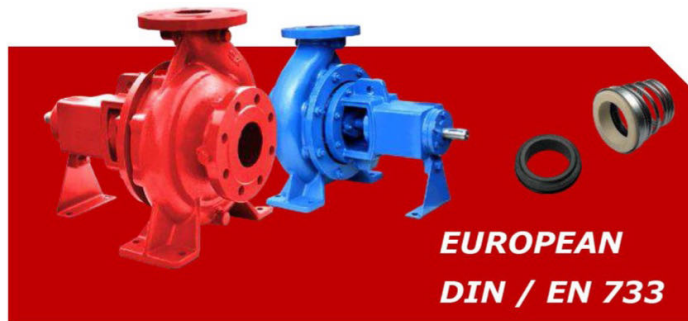
<http://thuanhiepthanh.vn>



TESU PUMP

**Centrifugal Pump
DIN 24255/
EN733**





STE SERIES

Back Pull Out End Suction Centrifugal Pump DIN 24255

MATERIAL OF CONSTRUCTION

Part	Material
Casing	Cast Iron/ SS304, SS316, Bronze *
Impeller	Cast Iron/ Bronze/ SS304, SS316 *
Wear Ring (Optional)	Cast Iron/ Bronze *
Shaft	Stainless Steel
Shaft Nut	Bronze
Shaft Sleeve	Stainless Steel
Lantern Ring	Cast Iron/ Bronze *
Gland	Cast Iron

* Available material on request.

Notice: Other special material please contact our company.

MATERIAL SPECIFICATION

Material	Nearest Equivalent Standard			
	DIN	American	British	Australian
Cast Iron	DIN 1691 GG-25	ASTM A48 Class 40	BS 1452 Gr 260	AS 1830 T 260
Bronze	DIN 1714 G-CuAl 10Fe3	ASTM B148 C952	BS 1400 AB1	AS 1565 C952
Stainless Steel	DIN 17440 X20CR13	AISI 420	BS 970 Gr 420/S37	AS 1444 Gr 420



STE SERIES BACK PULL OUT FEATURE

This design feature allows the complete rotating relevant to be moved for servicing without disconnecting pipework. If a spacer coupling is fit then motor does not have to be moved. On re-assembly of pump coupling re-alignment properly are completely eliminated.

MARKET SECTORS

Building Services, HVAC,
Agriculture, Civil, Industries

APPLICATION

STE pump series is suitable for handling Clear water and similar liquid. Mainly used in the following application:

- Water Supply
- Pressure Boosting
- Air Condition
- Refrigeration
- Heating and Ventilating
- Irrigation
- Fire Protection
- Industrial used

SPECIFICATION

Capacity : up to 540 m³/hr, 2poles
up to 1900 m³/hr, 4poles

Head : up to 155 m, 2poles
up to 90 m, 4poles

Pump Size : DN 32-DN 300

Speed : up to 3500 rpm

Operating Temperature:-10 °C to105 °C

For higher rating temperature application, please contact local distributor.

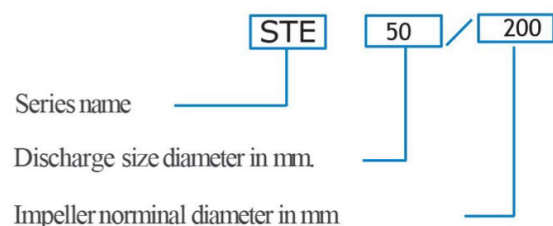
Operating Pressure :up to 1600 kPa
(Maximum pressure will vary depending on particular pump model, higher ratings available on application.)

Standard Mechanical Seal made of Silicon carbide/ Carbon/ NBR according to DIN 24960 Standard. Alternative materials are available on application.

Oil Lubrication complete with level sight glass is available on stock.

Counter-Clockwise Rotation when looking at pump from the suction side.

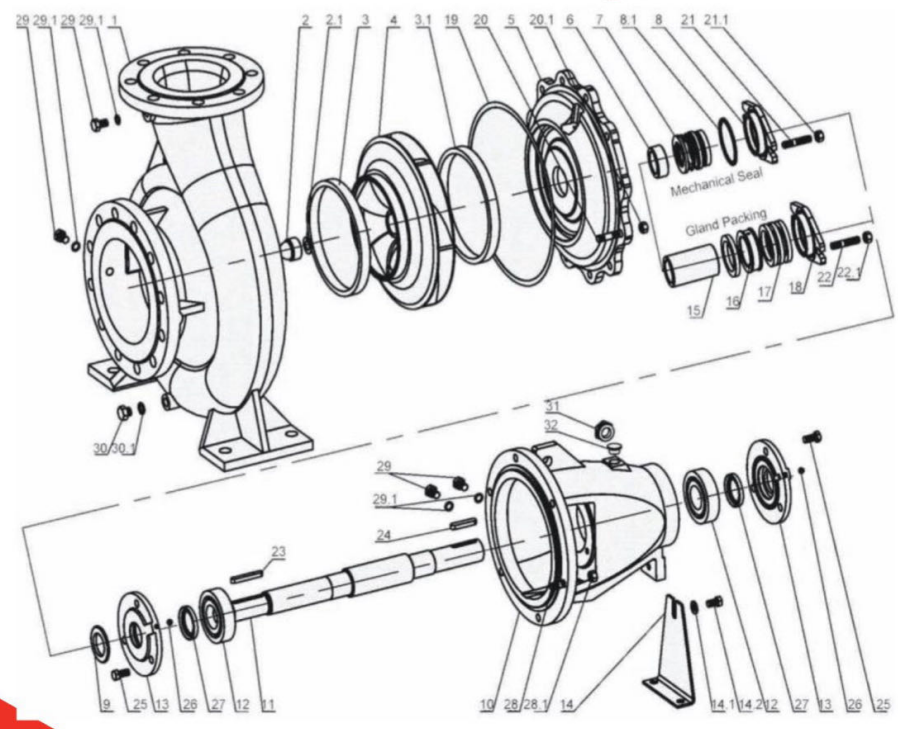
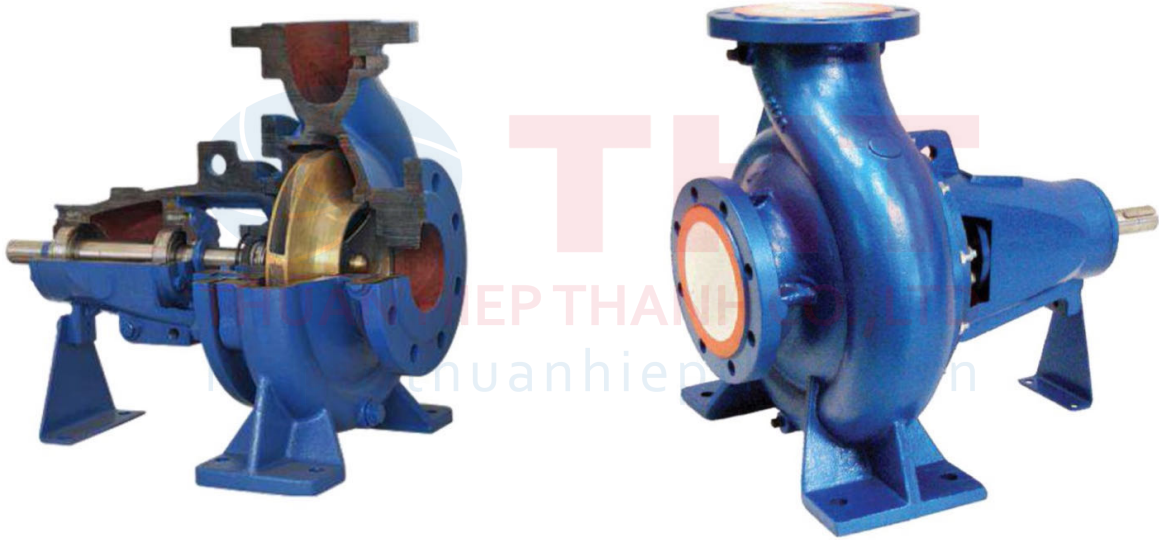
IDENTIFICATION CODE



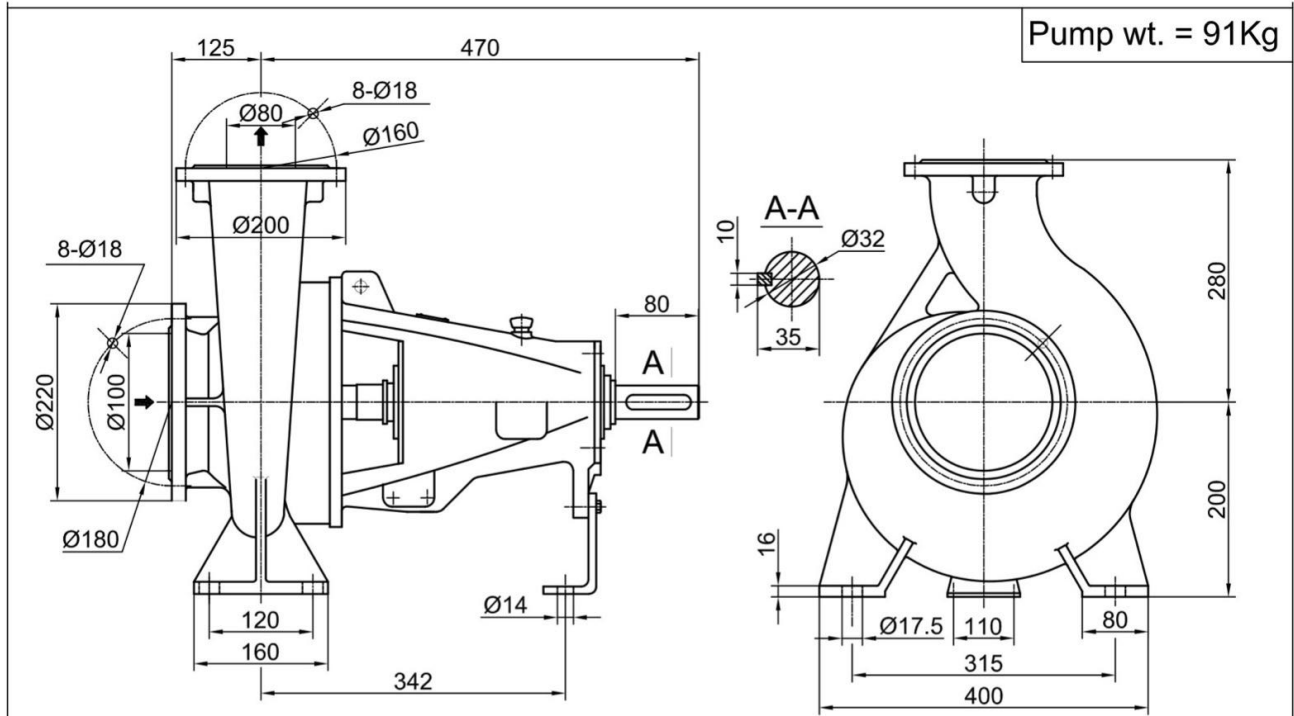
TESU PUMP

STE PUMP DRAWING (mm)

1	6	12	17	22	28
Casing	Seal Seat	Bearing	Gland Packing	Stuff	Stuff
2	7	13	18	22.1	29
Impeller Nut	Mechanical Seal	Bearing Cover	Packing Cover	Nut	Vent Plug
2.1	8	14	19	23	29.1
Flexibel Washer	Seal Cover	Support Foot	Gasket	Impeller Key	Washer
3	8.1	14.1	20	24	30
Front Wear Ring	O-ring	Bolt	Stud	Motor Key	Drainage Plug
3.1	9	14.2	20.1	25	30.1
Rear Wear Ring	Slinger	Nut	Nut	Bolt	Washer
4	10	15	21	26	31
Impeller	Bearing Housing	Packing Sleeve	Stud	Oil Nipple	Oil Glass
5	11	16	21.1	27	32
Casing Cover	Shaft	Packing Ring	Nut	Oil Seal	Oil Hole Cover



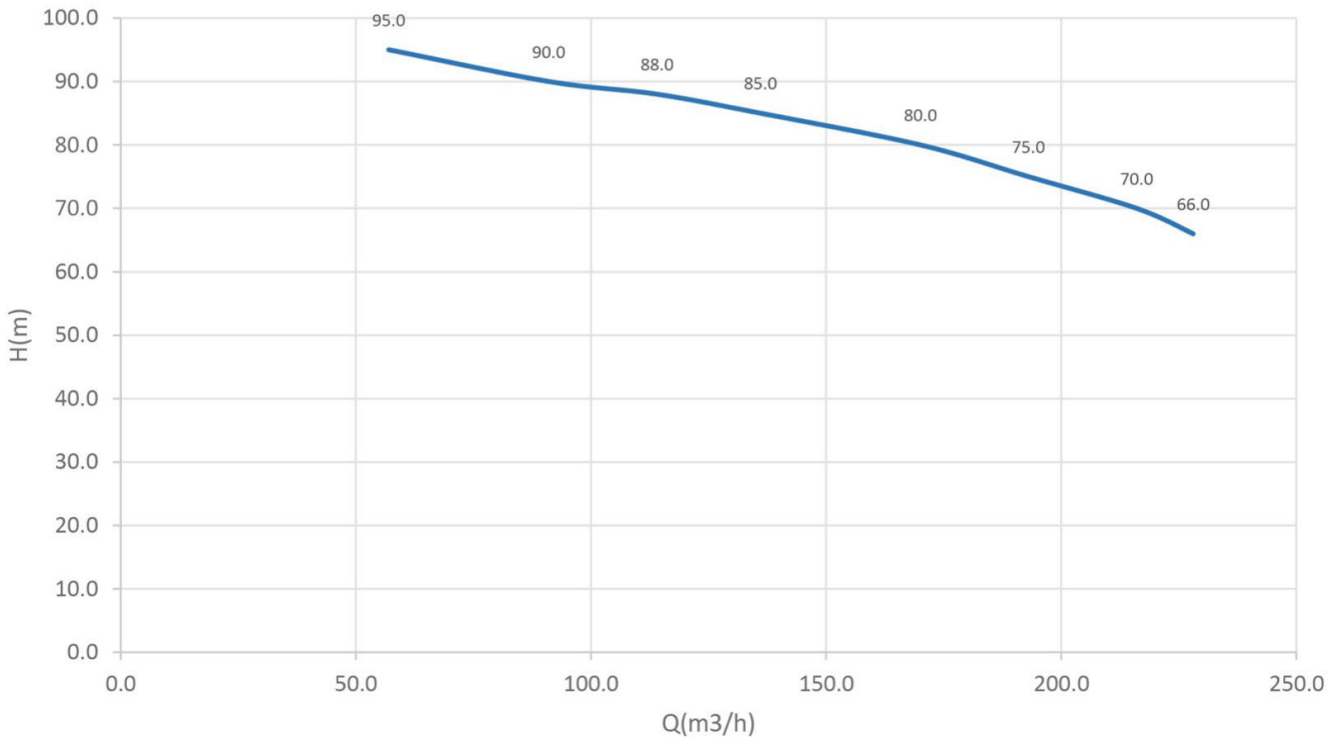
STE 80-250



Rotation clockwise viewing from the driving end.

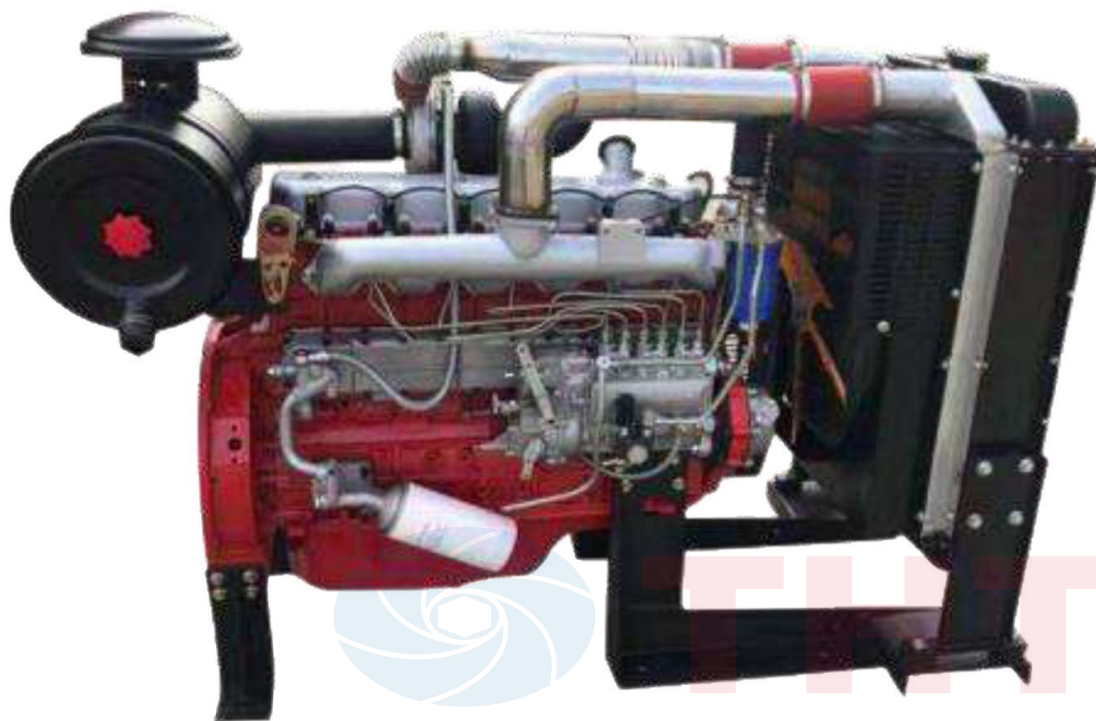
	General Arrangement Drawing	<input checked="" type="checkbox"/> PROPOSALS
	STE 80-250	<input type="checkbox"/> PURCHASE
		<input type="checkbox"/> AS BUILT

m ³ /h	57	91	114	136	170	193	216	228
m	95	90.0	88.0	85.0	80.0	75.0	70.0	66.0

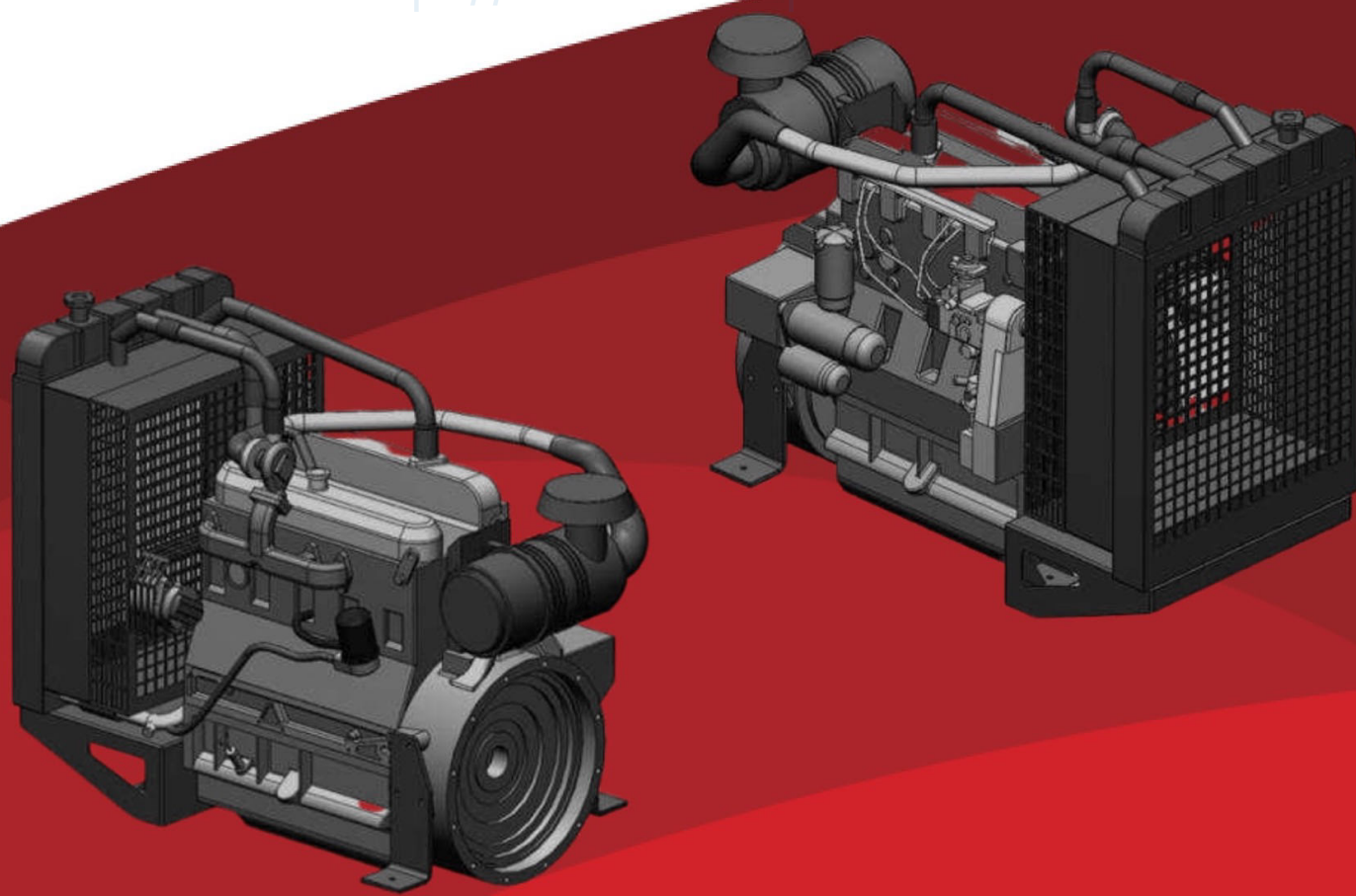


TESU FIRE ENGINES

For Fire Fighting & Water Pumps



THUAN HIEP THANH CO., LTD
<http://thuanhiepthanh.vn>



TESU DIESEL ENGINE RICARDO TECHNOLOGY



APPLICATIONS

Suitable for use with clean water and liquids that are not chemically aggressive towards the materials from which the pump is made. The diesel engine pumps are recommended for use in water supply, cleaning sets, pressure boosting, firefighting sets, irrigation, industrial applications, water circulation, agricultural. The famous Ricardo Comet combustion system for high-speed diesel engines

USING LIMITS

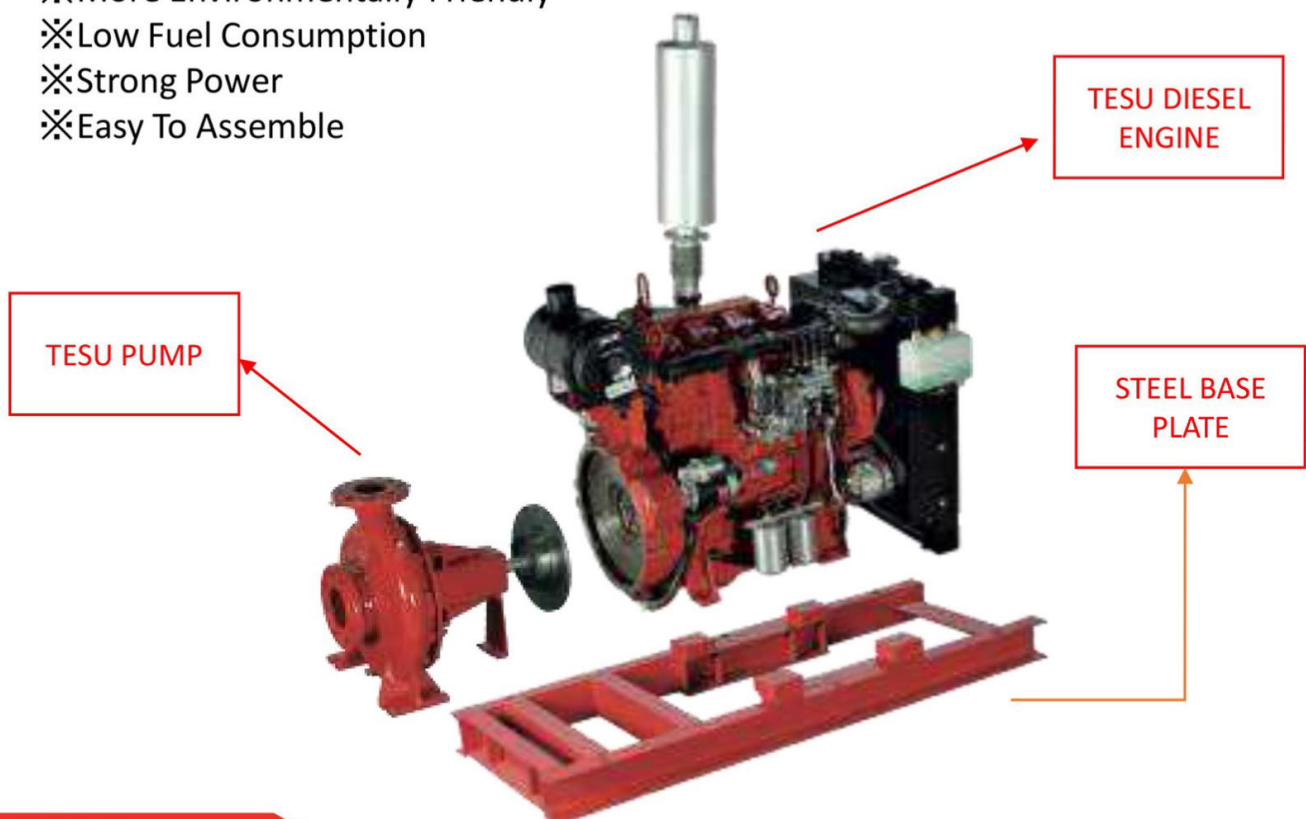
Liquid temperature between -10°C and $+120^{\circ}\text{C}$
Ambient temperature up to $+50^{\circ}\text{C}$
Max. working pressure **16 bar**
Continuous service **S1**



TECHNICAL DESCRIPTION

- ✘ More Environmentally Friendly
- ✘ Low Fuel Consumption
- ✘ Strong Power
- ✘ Easy To Assemble

THUAN HIEP THANH CO., LTD
http://thuanhiepthanh.vn

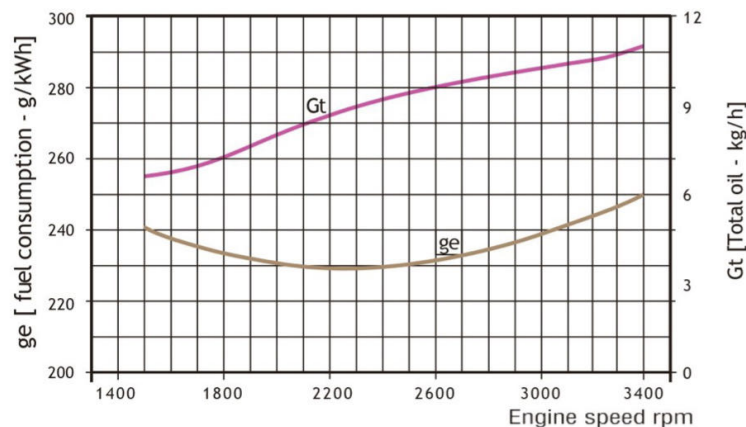
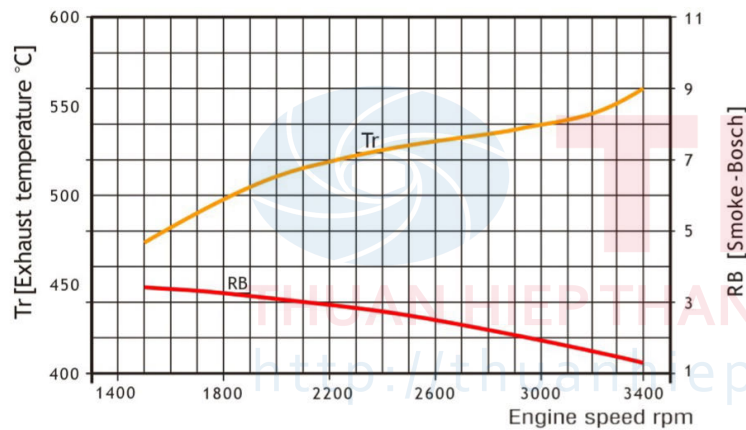
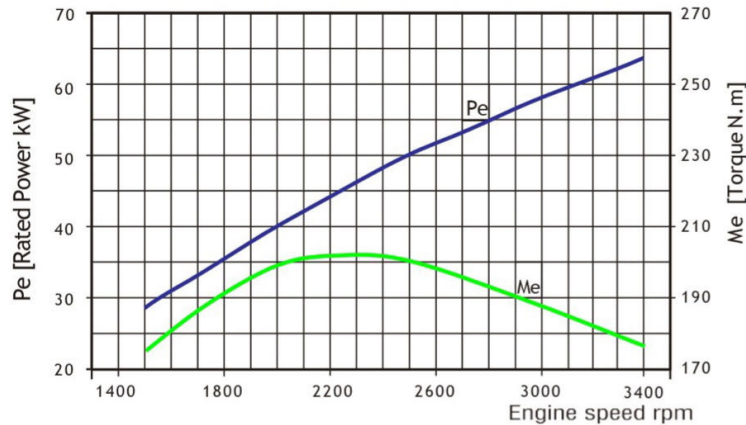




N SERIES

(For Fire Fighting Pump)

MODEL: N80



SPECIFICATION

Model	N80
Number of Cylinders	4
Power (kW/Hp)	60Kw/80Hp
Speed (RPM)	2900
Intake Way	Turbo + Intercooler
Displacement (L)	3.6
Bore / Stroke	90 x 102
Operation Hours	Normal/Max: 12/24h
Oil Capacity (L)	8 - 11
Fuel Consumption at Full Load (L/hr)	<19
Cooling Method	Forced Water Cooling
Lubricating Method	Pressure and Splash Lubricating
Stating Method	Electric Starting (24V)

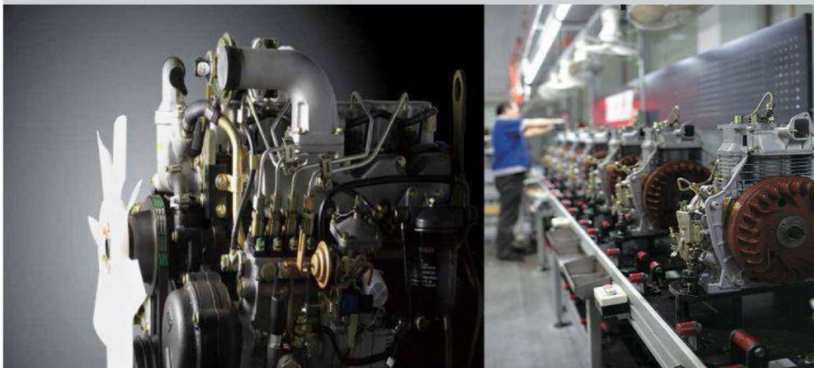
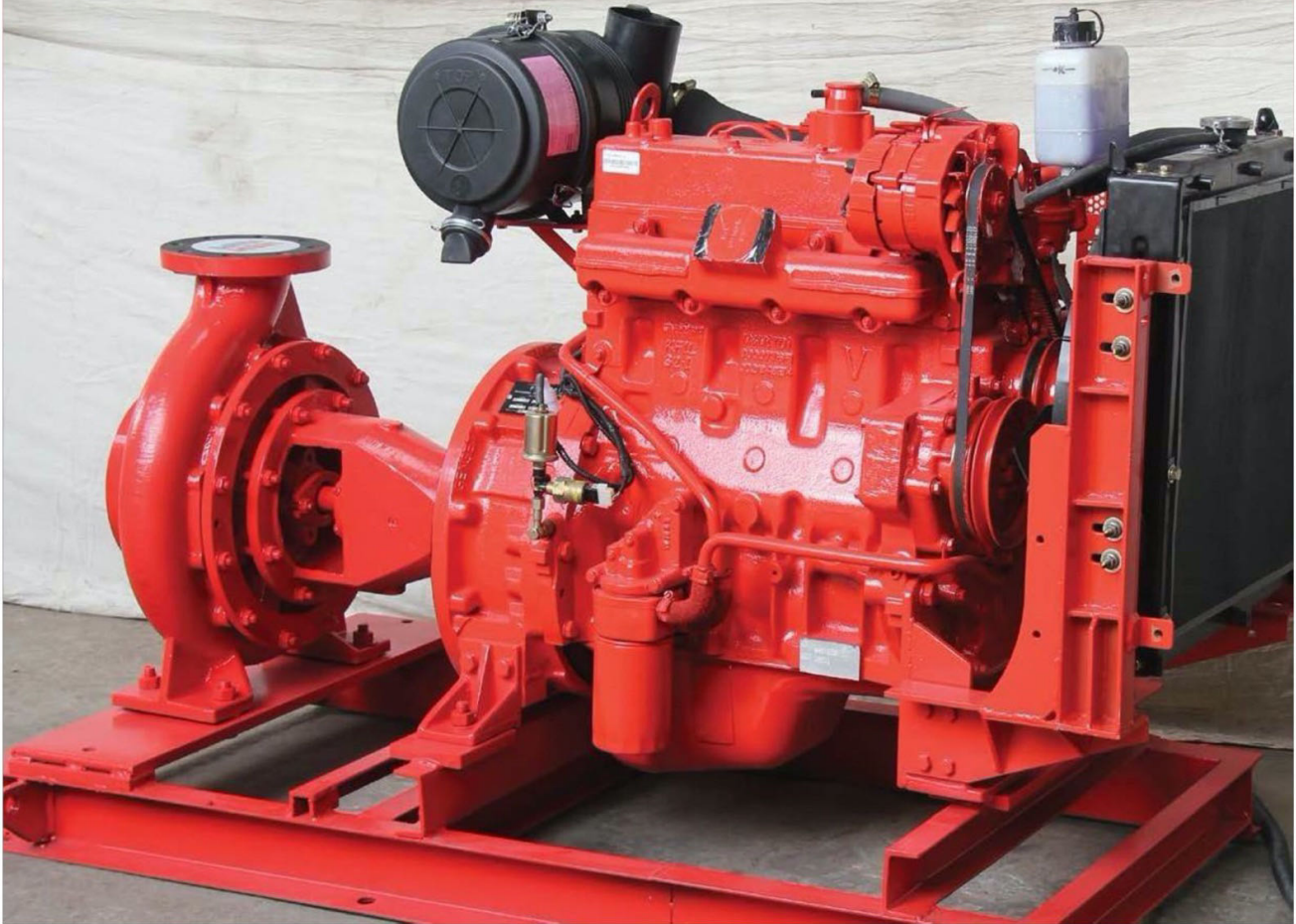
SCOPE OF SUPPLY:

Radiator, 12 or 24V star ter motor, Engine shaft /Control panel: Customer's request.

These engines have improved performance and combustion efficiency. The characteristics such as high torque and heavy duty construction makes these engines a right choice for fire fighting applications. Engines series comprises of 4 cylinder 4 stroke compression ignition type engines. These engines are subjected to rigorous performance tests prior to the dispatch to ensure that the performance ratings are achieved as required by the design specifications.

TESU DIESEL PUMP

Design For Fire Fighting





MODEL STE80-250
Q: 57-228 m3/h
H: 95-66 m



TECHNICAL FEATURE TESU DIESEL FIRE PUMP SET:

Model:	STE80-250
Quality Certificate:	ISO9001
Color (can be changed)	Red/ Black
Related Documents:	Delivery Note, Importing Documents of Engine and Pumps
Fire Fighting Inspection Certificate:	Per Request

THUAN HIEP THANH CO.,LTD
<http://thuanhiep Thanh.vn>



TESU DIESEL FIRE ENGINE – RICARDO N SERIES

ENGINE BRAND:	TESU RICARDO N SERIES - THAILAND
Model:	N80
Power max / Speed max	80HP@2900 RPM
Cylinder No.	FOUR

TESU FIRE PUMP – STE SERIES

BRAND:	TESU STE SERIES - THAILAND
Model:	STE80-250
Flow	57-228 m3/h
Head	95-66 m



WE PROVIDE A COMPREHENSIVE SOLUTION

Our team's innovative solutions to customer needs

