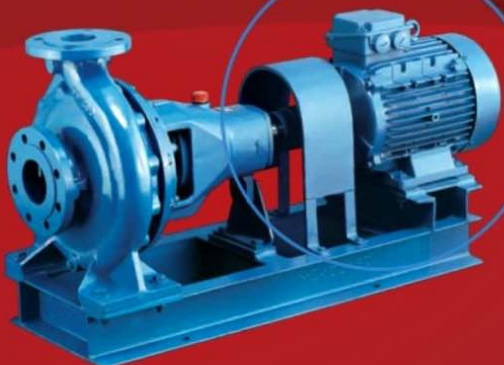




TESU PUMP

Centrifugal Pump
DIN 24255/
EN733



MV

Multi-stage Centrifugal Electric Pump



Our Advantages

- Self-suction
- Anti-rust and durable
- Silent running and high efficiency
- Compact and fashionable design
- Series for different flow & head request
- Multi-material for different application

Application

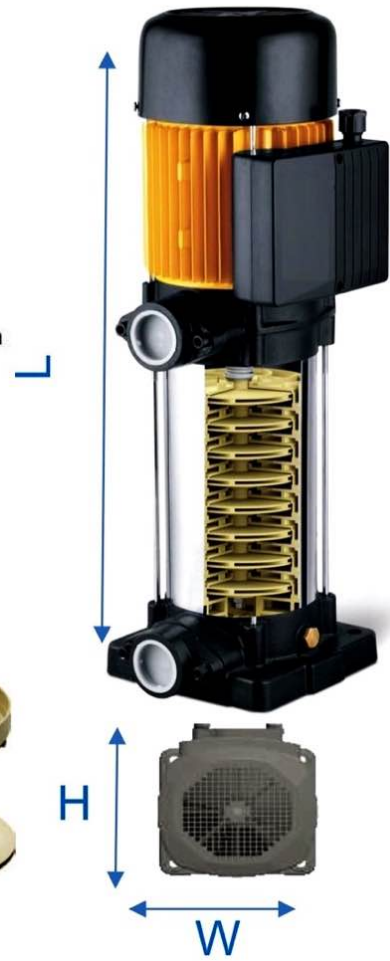
- Widely used for domestic and commercial field
- Water supply for tall building
- Small scale irrigation for gardens, farms etc.
- For washing system, cooling system, boosting system
- For household, hotel
- For cafeteria, shopping mall

Motor

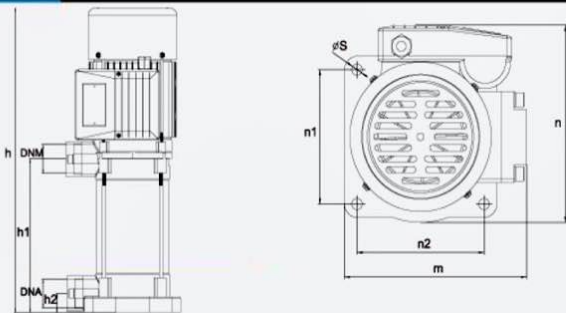
- Single-phase: 220 ~ 240V / 50Hz (built-in thermal protector)
- Three-phase: 220 ~ 240V / 380-415V 50Hz (overload protection must be installed in the control panel.)
- Operating speed: 2850 r/min
- Insulation class: F, Protection class: IPX5
- Output power range (P2): 0.45 ~ 2.5KW
- Duty: continuously rated

Working Condition

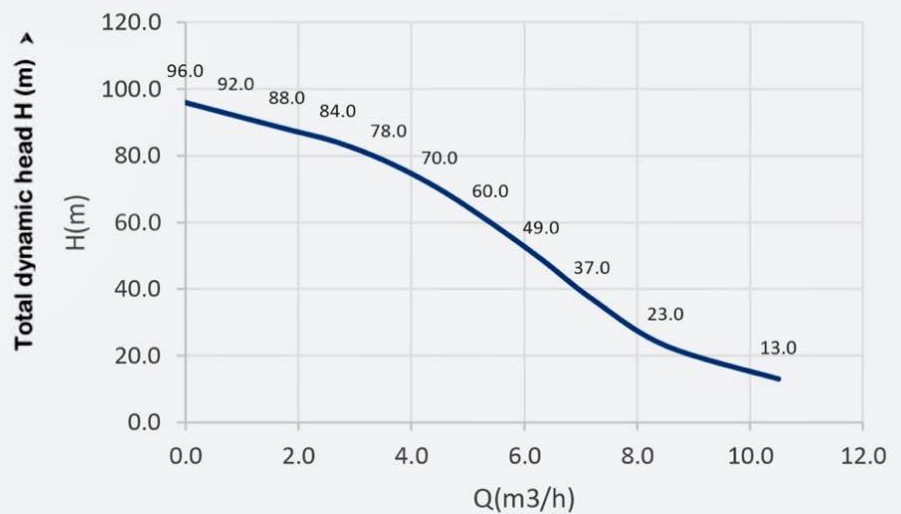
- Inlet/Outlet: 1"~ 1 1/4"
- Capacity range: 0 ~ 150 L / min
- Max head range: 22 ~ 99 m
- Max working pressure: 8 ~ 10 bar
- Fluid: clean water
- Max solid impurities: 0.1%
- Max grain size: 0.2 mm
- PH: 6 ~ 8
- Fluid Temperature: 0 ~ + 40 °C
- Environment Temperature: ≤40 °C



NO.	Model	INLET/OUTLET (Inch)	NW (kg)	LxWxH (mm)
	MV-8	1 1/4" x 1 1/4"	27	745x255x280



PERFORMANCE CHART AT n= 2850RPM



MODEL	m ³ /h	0.0	0.9	1.8	2.7	3.6	4.5	5.4	6.3	7.2	8.5	10.5
MV-8	m	96.0	92.0	88.0	84.0	78.0	70.0	60.0	49.0	37.0	23.0	13.0

WE PROVIDE A COMPREHENSIVE SOLUTION

Our team's innovative solutions to customer needs

